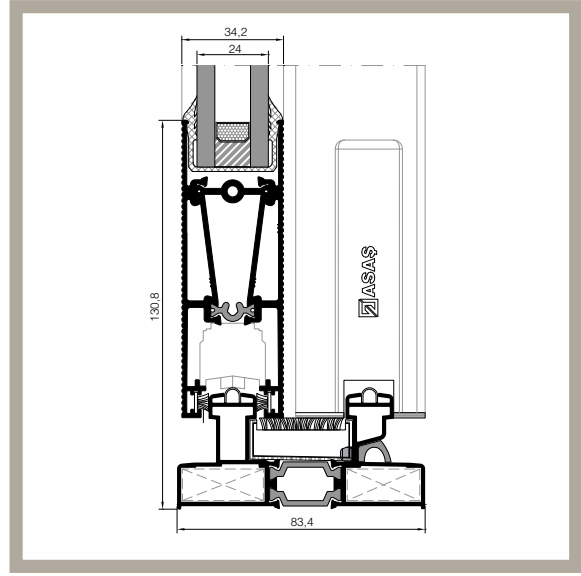


MİMARİ KATALOG ARCHITECTURAL CATALOGUE

Alüminyum Kapı Pencere ve Giydirme Cephe Sistemleri
Aluminium Door Window and Facade Systems



RST83



TEKNİK ÖZELLİKLER / TECHNICAL PROPERTIES

| | |
|--|------------------------------|
| KASA DERİNLİĞİ / FRAME DEPTH | min .83,4 mm - max. 120,6 mm |
| KANAT DERİNLİĞİ / VENT DEPTH | min. 34,2 mm - max. 72,8 mm |
| PROFİL ET KALINLIĞI / PROFILE WALL THICKNESS | 1,4 mm |
| CAM KALINLIĞI / GLASS THICKNESS | 8 / 10 / 20 / 24 mm |
| ISI BARIYERLERİ / THERMAL INSULATION BARS | 14,8 / 20 / 24 mm |

KULLANIM SEÇENEKLERİ / APPLICATION ALTERNATIVES

| | KAPI DOOR | PENCERE WINDOW |
|--|--------------|-------------------|
| BASİT SÜRME / SLIDING | • | • |
| 90° KANAT BİRLEŞİMİ / 90° VENT COMBINATION | • | • |
| CAM ÇİTALİ KANAT / VENT WITH GLAZING BEAD | • | • |
| CAM ÇİTASIZ KANAT / VENT WITHOUT GLAZING BEAD | • | • |
| 3 RAYLI KASA / 3 RAILED FRAME | • | • |
| SİNEKLİK / INSECT SCREEN | • | • |
| SABİTLE BİRLEŞİM / COMBINATION WITH FIXED PART | • | • |

PERFORMANS DEĞERLERİ / PERFORMANCE VALUES

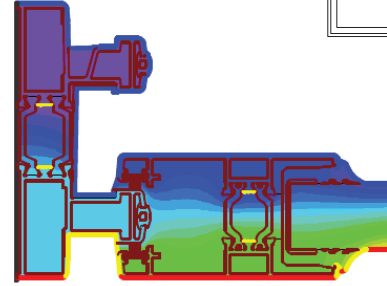
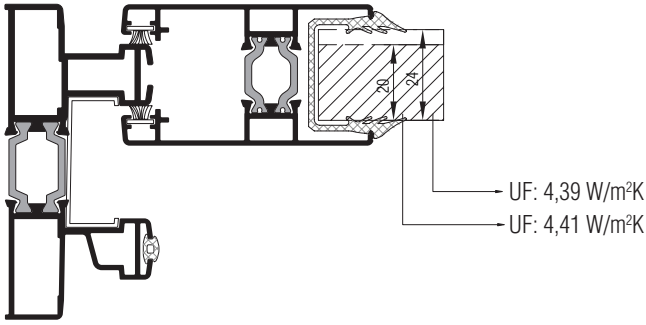
SİSTEM UF DEĞERİ - EN 10077-2
THERMAL INSULATION VALUE



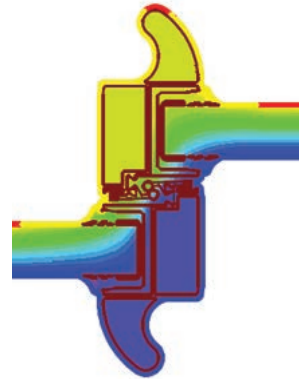
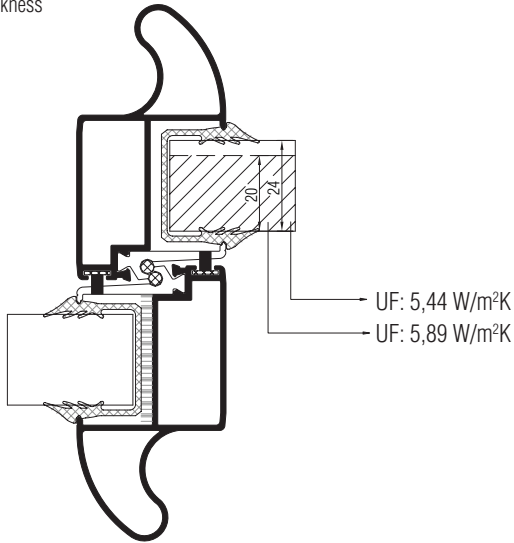
4,12 ~ 5,89 W/M²K

ISI YALITIM DEĞERLERİ (UF) / Thermal Insulation Value (UF)

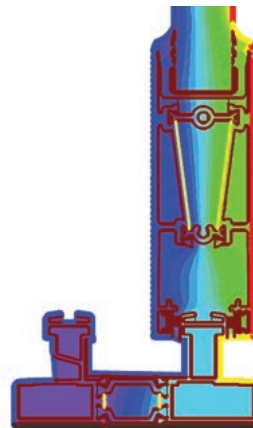
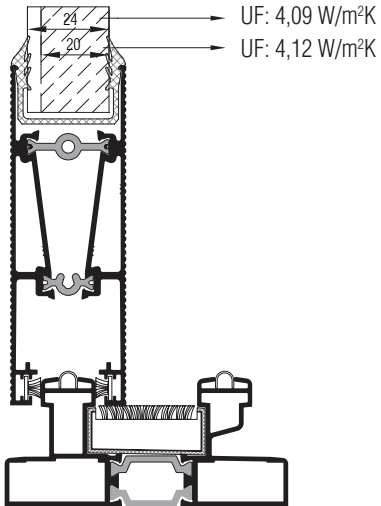
Cam Kalınlıkları: 20 mm / 24 mm
Glass Thickness



Cam Kalınlıkları: 20 mm / 24 mm
Glass Thickness



Cam Kalınlıkları: 20 mm / 24 mm
Glass Thickness



01

02

03

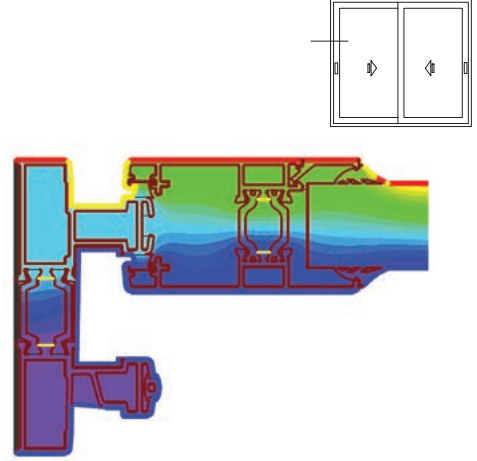
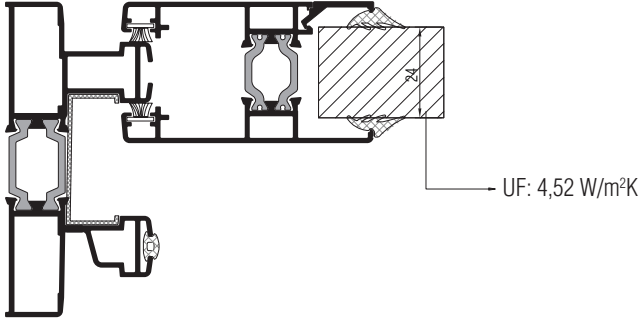
04

05

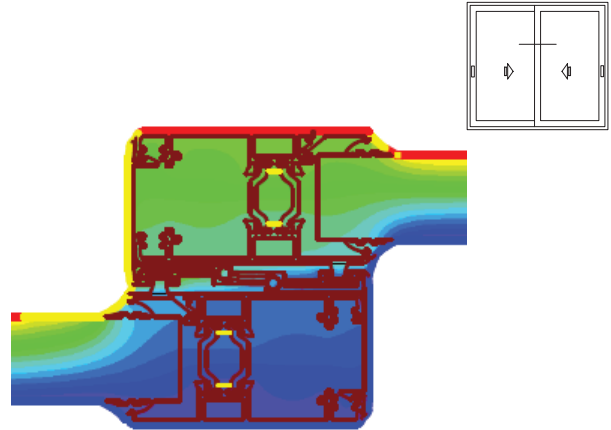
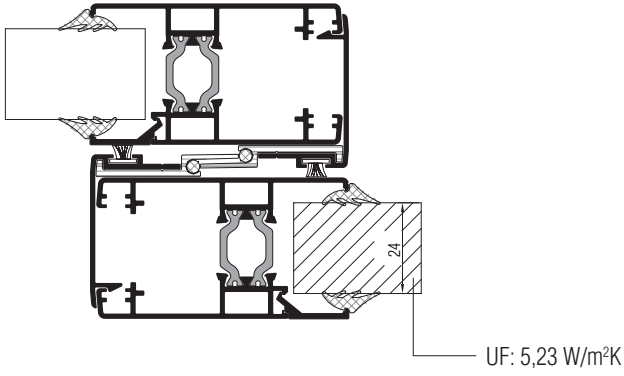
06

ISI YALITIM DEĞERLERİ (UF) / Thermal Insulation Value (UF)

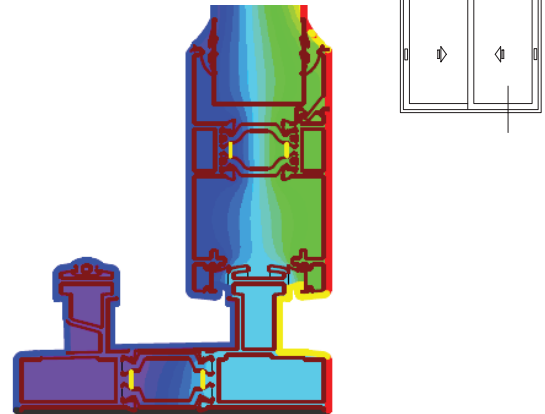
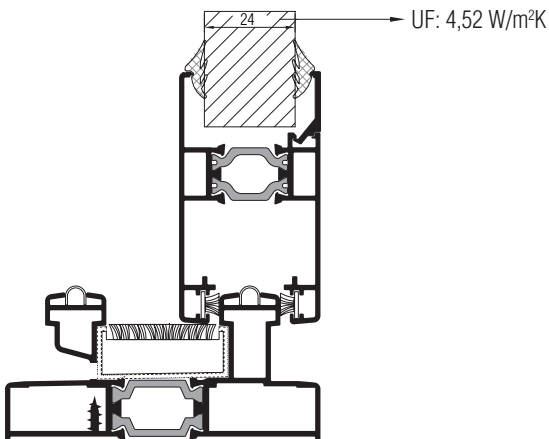
Cam Kalınlıkları: 24 mm Cam Çıtalı
Glass Thickness



Cam Kalınlıkları: 24 mm Cam Çıtalı
Glass Thickness



Cam Kalınlıkları: 24 mm Cam Çıtalı
Glass Thickness



01

02

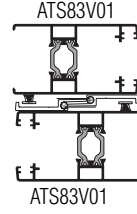
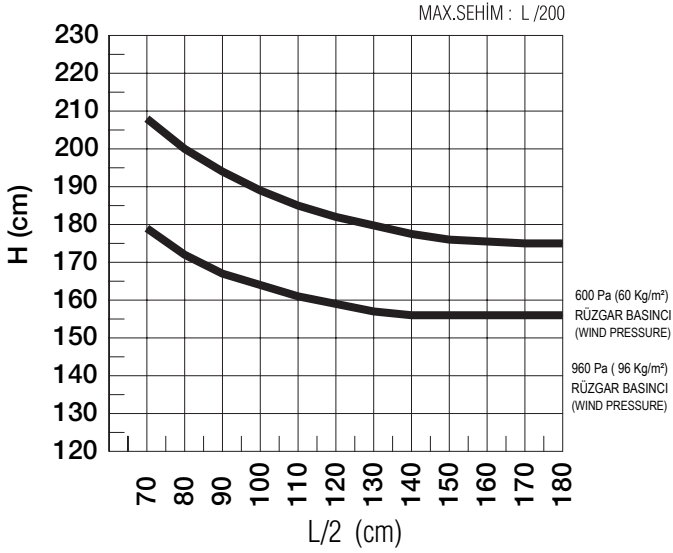
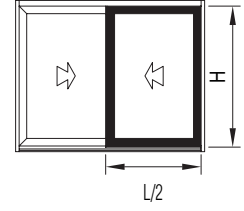
03

04

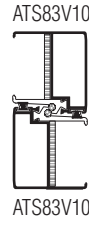
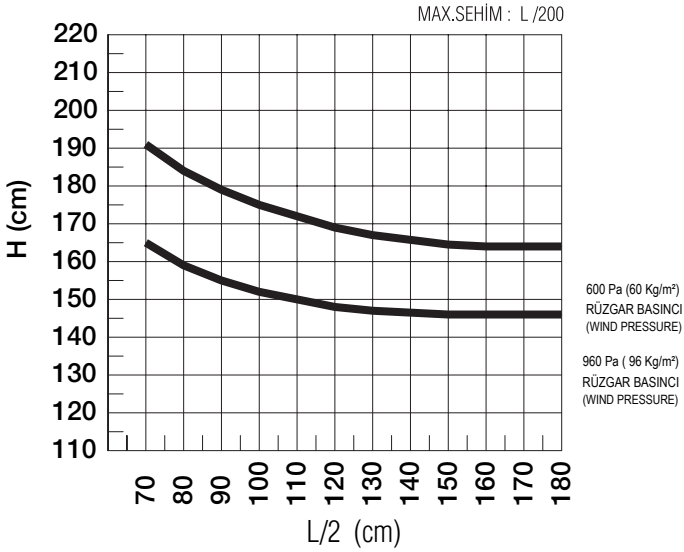
05

06

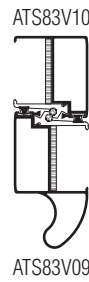
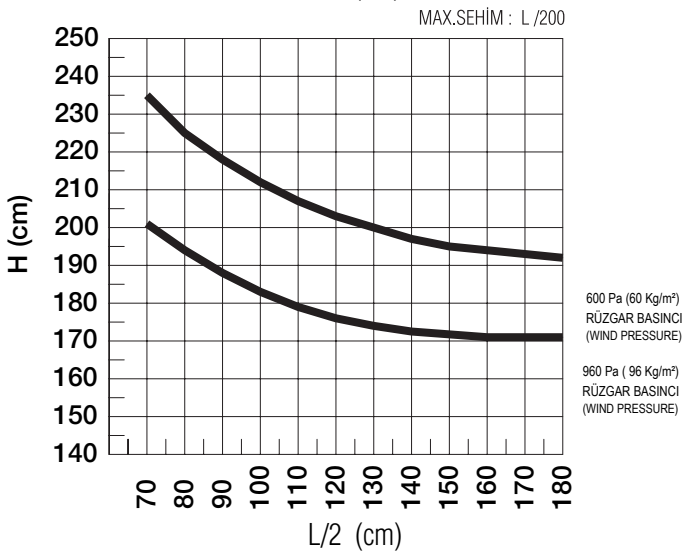
RÜZGAR YÜKÜNE GÖRE KULLANIM LİMİTLERİ GRAFİĞİ
USAGE DIAGRAM FOR THE WIND LOAD



ATS83V01 Jx: 6,765 cm⁴
ATS83V01 Jx: 6,765 cm⁴
TOPLAM Jx: 13,53 cm⁴



ATS83V10 Jx: 5,235 cm⁴
ATS83V10 Jx: 5,235 cm⁴
TOPLAM Jx: 10,47 cm⁴



ATS83V10 Jx: 5,235 cm⁴
ATS83V09 Jx: 14,35 cm⁴
TOPLAM Jx: 19,585 cm⁴

01

02

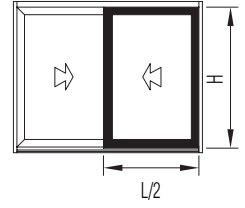
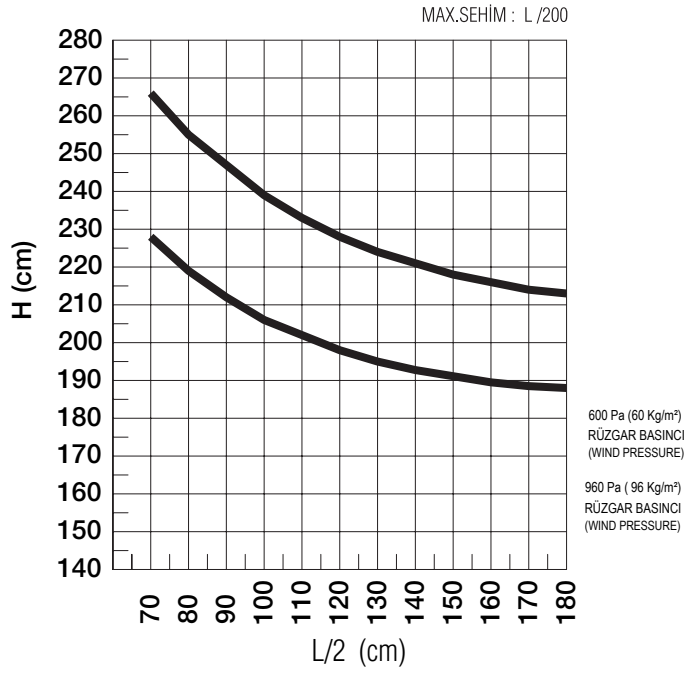
03

04

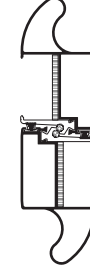
05

06

RÜZGAR YÜKÜNE GÖRE KULLANIM LİMİTLERİ GRAFİĞİ
USAGE DIAGRAM FOR THE WIND LOAD



ATS83V09



ATS83V09

ATS83V09 Jx: 14,35 cm⁴
ATS83V09 Jx: 14,35 cm⁴
TOPLAM Jx: 28,70 cm⁴

01

02

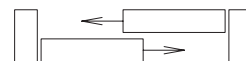
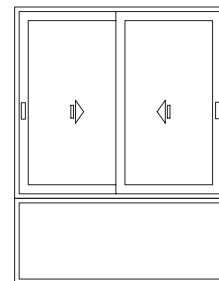
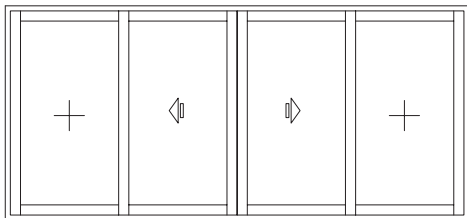
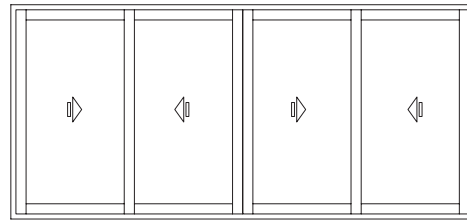
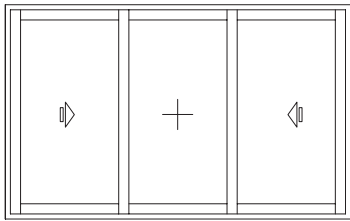
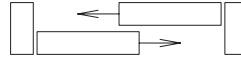
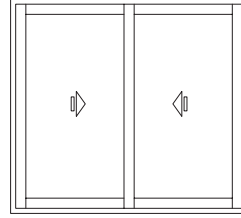
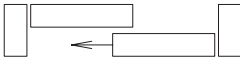
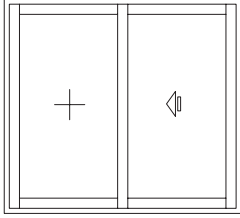
03

04

05

06

SİSTEM TİPOLOJİSİ
SYSTEM TYPOLOGY



01

02

03

04

05

06

MİMARİ KATALOG
ARCHITECTURAL CATALOGUE

Alüminyum Kapı Pencere ve Giydirme Cephe Sistemleri
Aluminium Door Window and Facade Systems

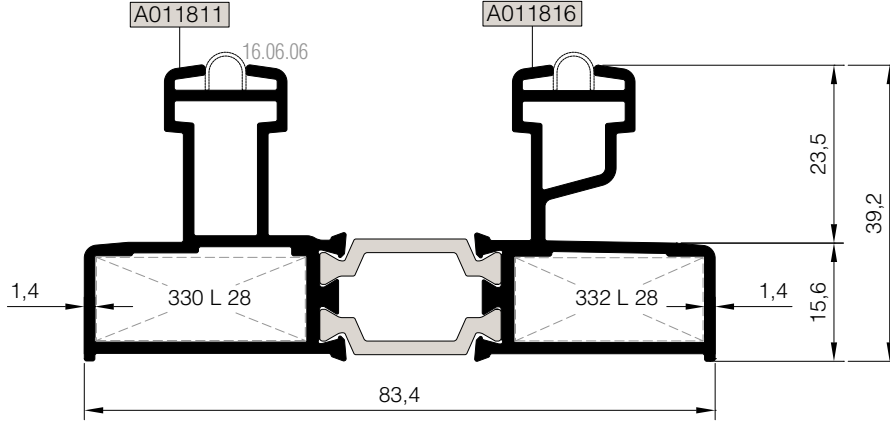
RST83

PROFİLLER

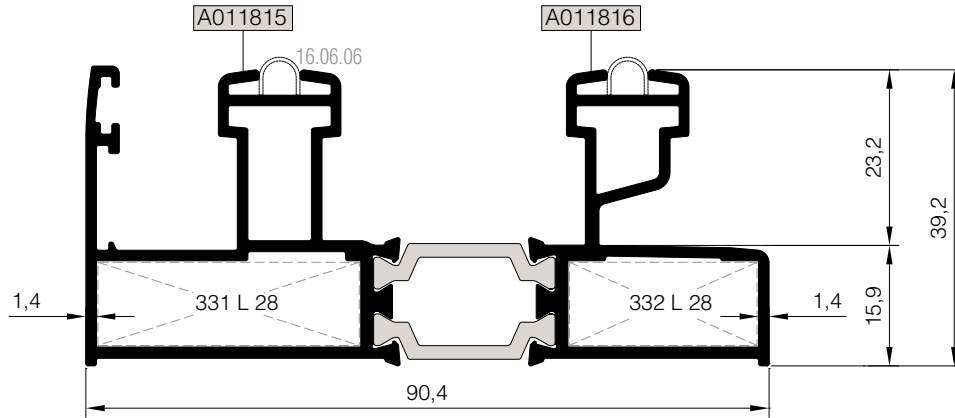
PROFILES

| KOD / CODE | AĞIRLIK (kg/m) / WEIGHT | Jxx cm ⁴ | Jyy cm ⁴ | L m | |
|------------|-------------------------|---------------------|---------------------|-----|--|
| ATS83F01 | 1,516 | 31,840 | 7,539 | 6 | |
| ATS83F02 | 1,695 | 45,680 | 8,577 | 6 | |
| ATS83F03 | 2,055 | 92,031 | 10,864 | 6 | |

ATS83F01

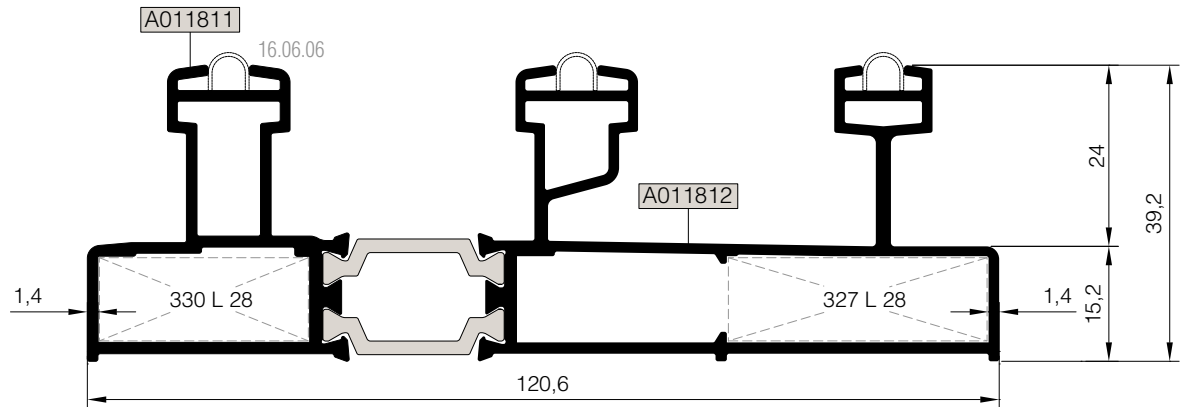


ATS83F02



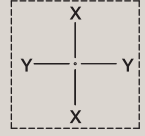
ATS83F03

Sineklik Kanadı için Kasa

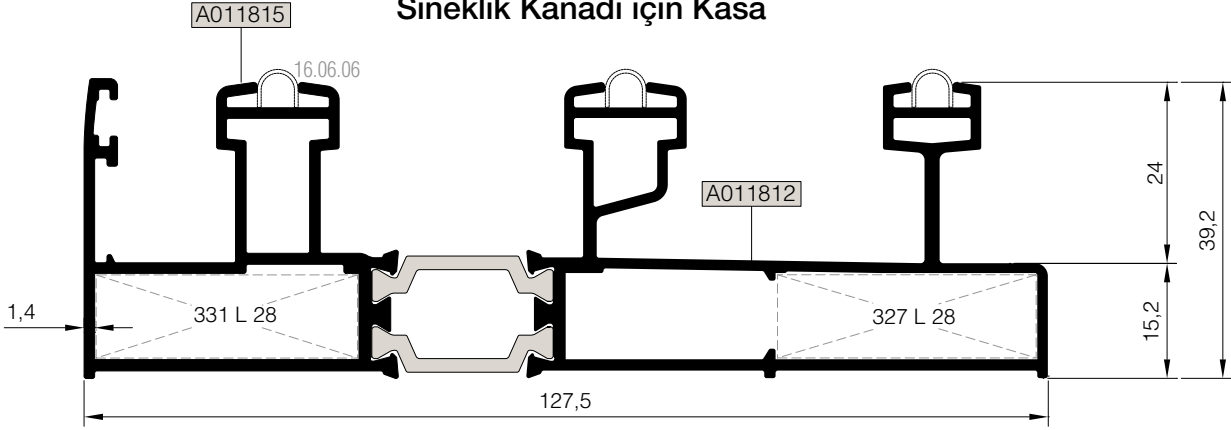


| Nr | | L m | KESİM ÖLÇÜSÜ CUTTING SIZE | AKS. KODU ACS. CODE |
|----------|---------|-------------------|------------------------------|------------------------|
| ATS83F01 | A011811 | 25 L 28 (A010542) | 27,6 mm | 330 L 28 |
| | A011816 | 25 L 28 (A010542) | 24,8 mm | 332 L 28 |
| ATS83F02 | A011815 | 25 L 28 (A010542) | 34,5 mm | 331 L 28 |
| | A011816 | 25 L 28 (A010542) | 24,8 mm | 332 L 28 |
| ATS83F03 | A011811 | 25 L 28 (A010542) | 27,6 mm | 330 L 28 |
| | A011812 | 25 L 28 (A010542) | 34,2 mm | 327 L 28 |

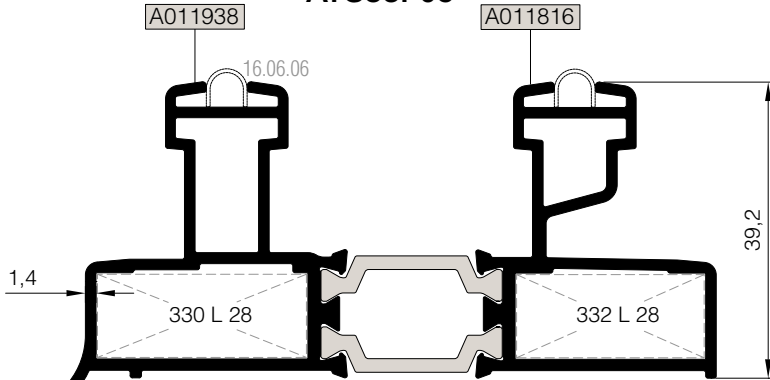
| KOD / CODE | AĞIRLIK (kg/m) / WEIGHT | Jxx cm ⁴ | Jyy cm ⁴ | L m |
|------------|-------------------------|---------------------|---------------------|------|
| ATS83F04 | 2,234 | 89,263 | 11,947 | 6 |
| ATS83F05 | 1,671 | 31,462 | 12,541 | 6 |
| ATS83F06 | ---- | ---- | ---- | ---- |



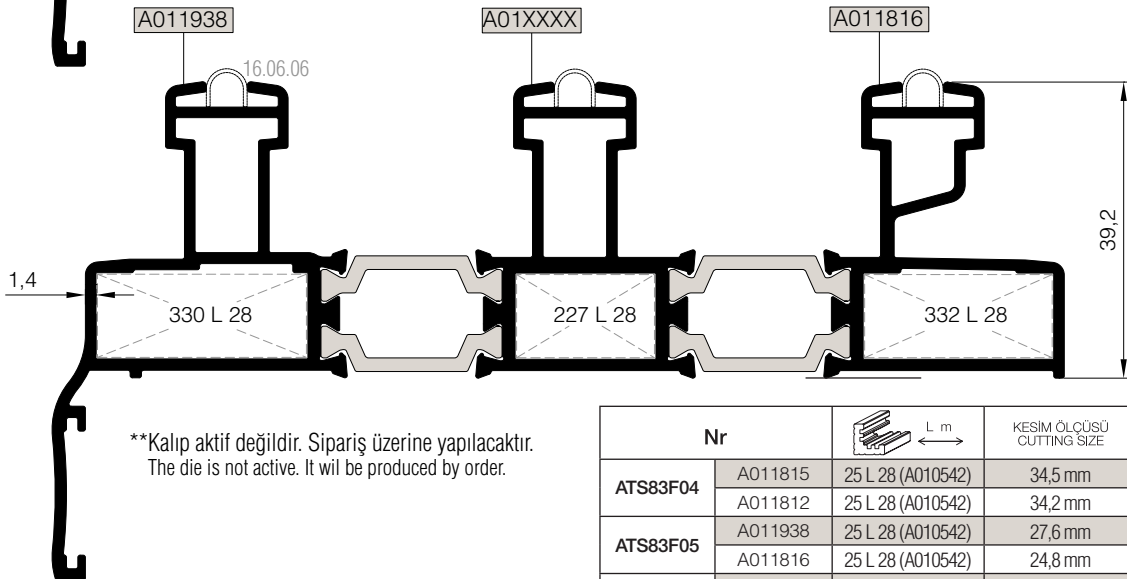
ATS83F04
Sineklik Kanadı için Kasa



ATS83F05



****ATS83F06**

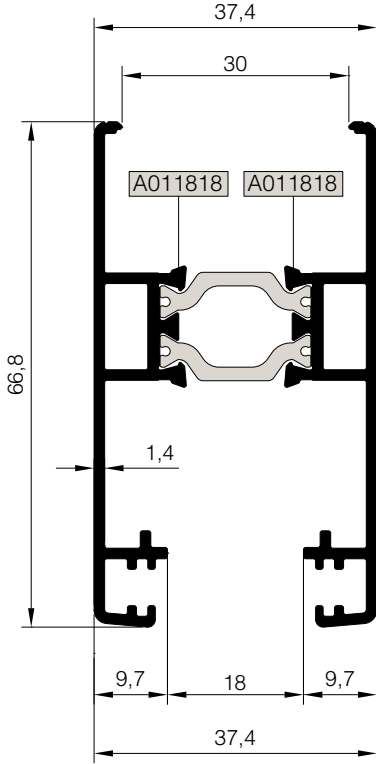


**Kalıp aktif değildir. Sipariş üzerine yapılacaktır.
The die is not active. It will be produced by order.

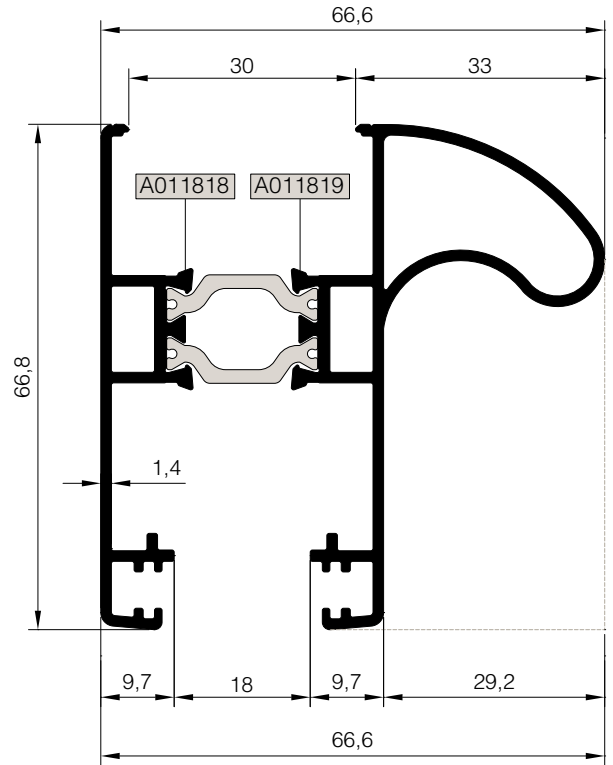
| Nr | | L m | KESİM ÖLÇÜSÜ CUTTING SIZE | AKS. KODU ACS. CODE |
|----------|---------|-------------------|------------------------------|------------------------|
| ATS83F04 | A011815 | 25 L 28 (A010542) | 34,5 mm | 331 L 28 |
| | A011812 | 25 L 28 (A010542) | 34,2 mm | 327 L 28 |
| ATS83F05 | A011938 | 25 L 28 (A010542) | 27,6 mm | 330 L 28 |
| | A011816 | 25 L 28 (A010542) | 24,8 mm | 332 L 28 |
| ATS83F06 | A011938 | 25 L 28 (A010542) | 27,6 mm | 330 L 28 |
| | ---- | 25 L 28 (A010542) | 18,1 mm | 227 L 28 |
| | A011816 | 25 L 28 (A010542) | 24,8 mm | 332 L 28 |

| KOD / CODE | AĞIRLIK (kg/m) / WEIGHT | Jxx cm ⁴ | Jyy cm ⁴ | L m | |
|------------|-------------------------|---------------------|---------------------|-----|--|
| ATS83V01 | 1,136 | 6,765 | 12,389 | 6 | |
| ATS83V02 | 1,412 | 14,612 | 16,825 | 6 | |
| ATS83V03 | 1,180 | 6,901 | 12,397 | 6 | |
| ATS83V07 | 1,182 | 7,907 | 10,538 | 6 | |

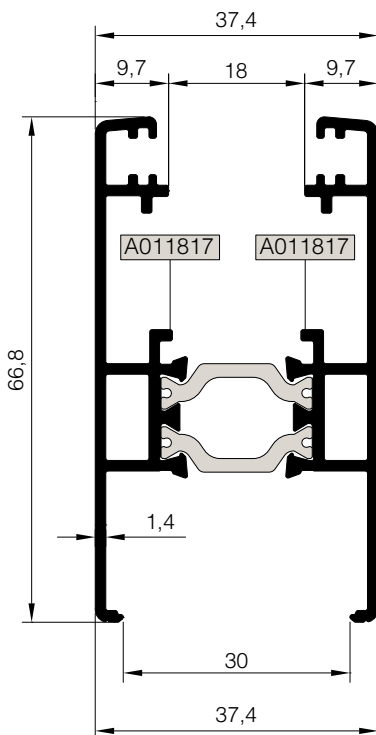
ATS83V01



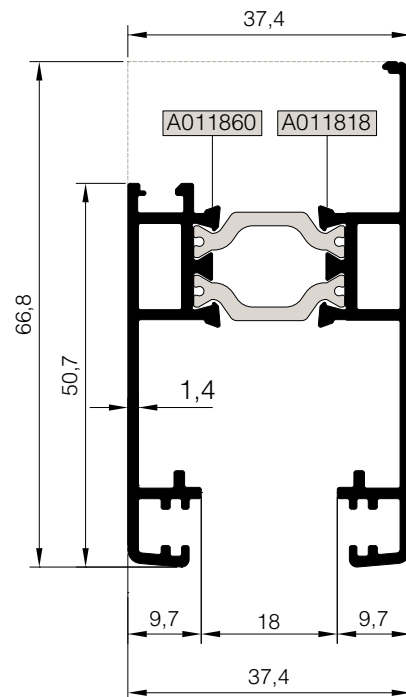
ATS83V02



ATS83V03



ATS83V07



01

02

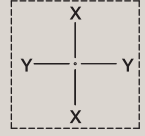
03

04

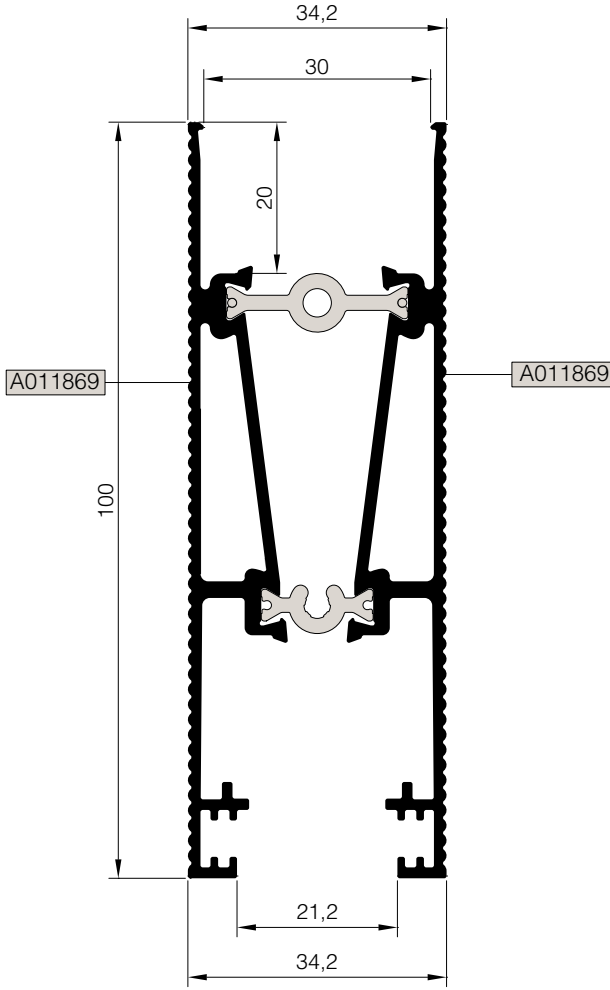
05

06

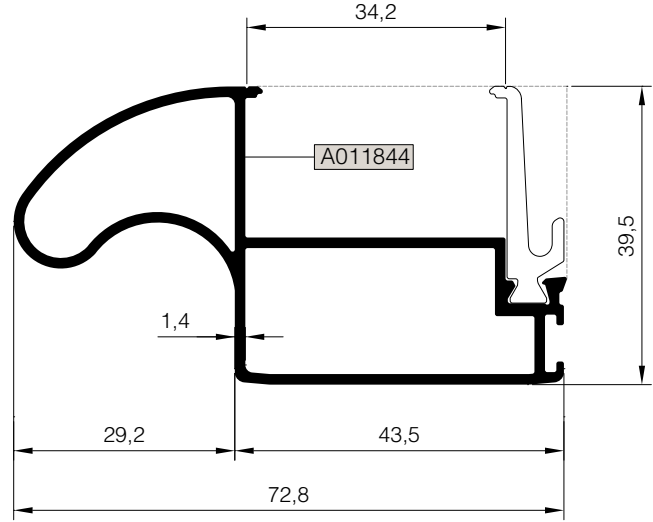
| KOD / CODE | AĞIRLIK (kg/m) / WEIGHT | Jxx cm ⁴ | Jyy cm ⁴ | L m |
|------------|-------------------------|---------------------|---------------------|-----|
| ATS83V08 | 1,844 | 8,519 | 42,528 | 6 |
| ATS83V09 | 0,977 | 14,350 | 4,190 | 6 |
| ATS83V10 | 0,700 | 5,235 | 2,245 | 6 |



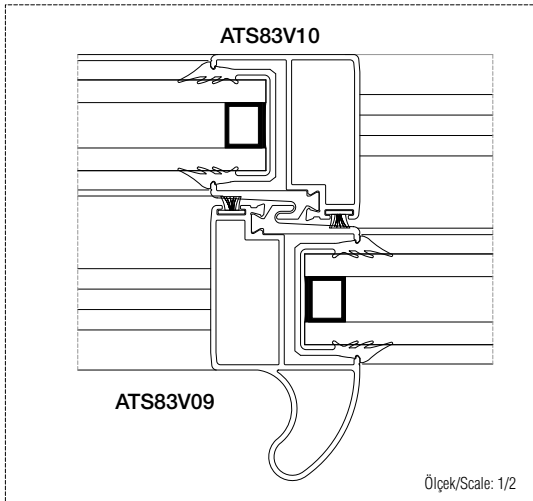
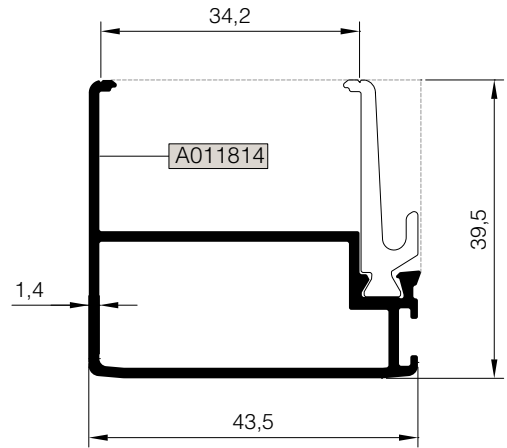
ATS83V08



ATS83V09



ATS83V10



01

02

03

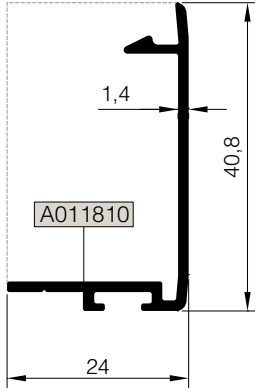
04

05

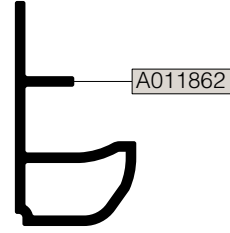
06

| KOD / CODE | AĞIRLIK (kg/m) / WEIGHT | Jxx cm ⁴ | Jyy cm ⁴ | L m | |
|------------|-------------------------|---------------------|---------------------|-----|--|
| TS83 A 01 | 0,294 | ---- | ---- | 6 | |
| TS83 A 02 | 0,268 | ---- | ---- | 6 | |
| TS58 V 06 | 0,917 | 4,270 | 10,506 | 6 | |

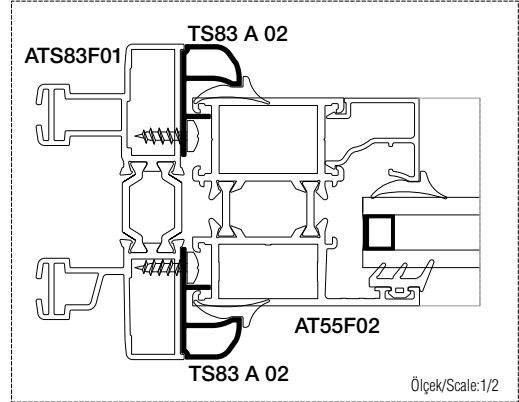
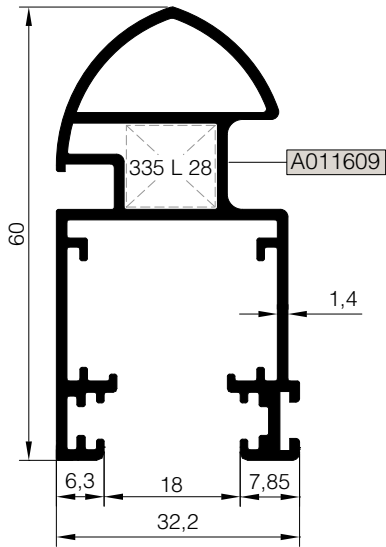
TS83 A 01



TS83 A 02



TS58 V 06



01

02

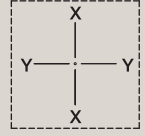
03

04

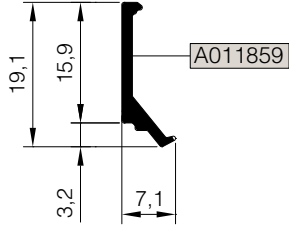
05

06

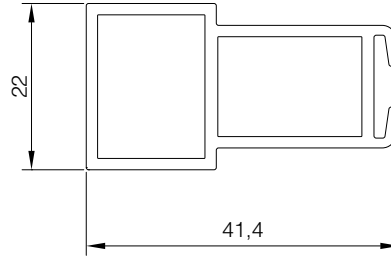
| KOD / CODE | AĞIRLIK (kg/m) / WEIGHT | Jxx cm ⁴ | Jyy cm ⁴ | L m |
|------------|-------------------------|---------------------|---------------------|-----|
| 25 G 40 | 0,096 | --- | --- | 6 |
| 25 I 06 | 0,104 | --- | --- | 6 |



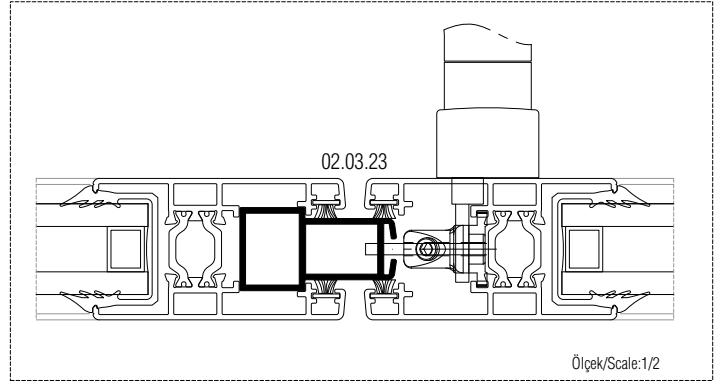
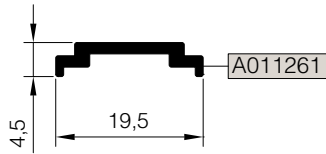
25 G 40



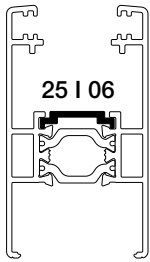
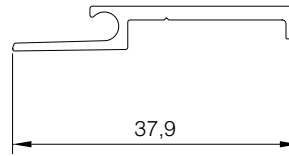
02.03.23
(PVC Profil)



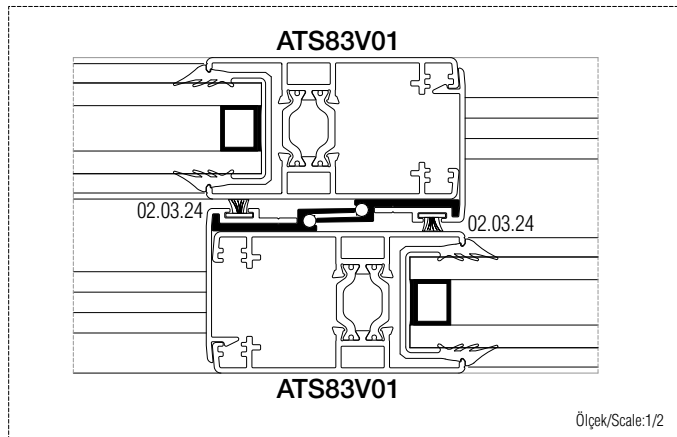
25 I 06



02.03.24
(PVC Profil)



Ölçek/Scale:1/2



01


02

03

04

05




06

| | | | | |
|-----------------------------|---|--|--|--|
| PROFİL KODU (PROFILE CODE) | 25 L 28 | | | |
| FABRİKA KODU (FACTORY CODE) | A010542 | | | |
| AĞIRLIK (WEIGHT) | 3,689 kg/m | | | |
| ÇİZİM (DRAWING) |  | | | |

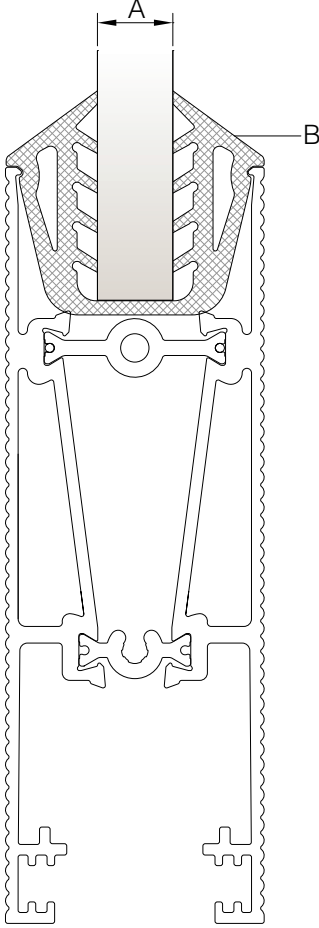
KÖŞE TAKOZLARI / CORNER CLEATS

| Nr | | L m | KESİM ÖLÇÜSÜ CUTTING SIZE | AKS. KODU ACS. CODE |
|-----------|---------|-------------------|------------------------------|------------------------|
| ATS83F01 | A011811 | 25 L 28 (A010542) | 27,6 mm | 330 L 28 |
| | A011816 | 25 L 28 (A010542) | 24,8 mm | 332 L 28 |
| ATS83F02 | A011815 | 25 L 28 (A010542) | 34,5 mm | 331 L 28 |
| | A011816 | 25 L 28 (A010542) | 24,8 mm | 332 L 28 |
| ATS83F03 | A011811 | 25 L 28 (A010542) | 27,6 mm | 330 L 28 |
| | A011812 | 25 L 28 (A010542) | 34,2 mm | 327 L 28 |
| ATS83F04 | A011815 | 25 L 28 (A010542) | 34,5 mm | 331 L 28 |
| | A011812 | 25 L 13 (A002058) | 34,2 mm | 327 L 28 |
| TS58 V 06 | A011609 | 25 L 28 (A010542) | 12 mm | 335 L 28 |

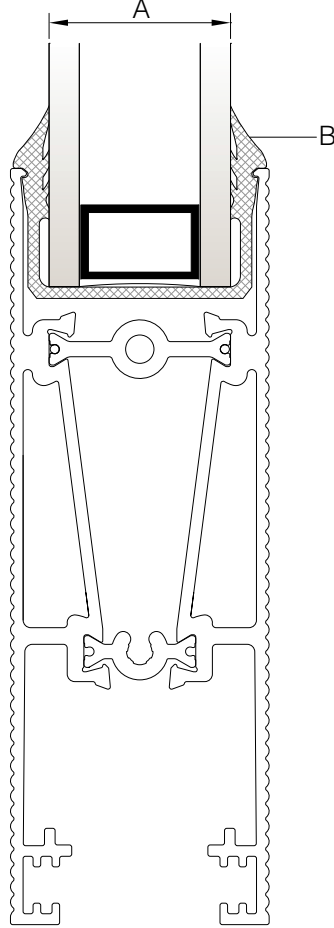
PİMLİ BAĞLANTILI KÖŞE TAKOZLARI
CORNER CLEATS WITH PIN PROFILES

| | | | | |
|-----------------------------|---|---|---|--|
| PROFİL KODU (PROFILE CODE) | 10.03.08 | 10.03.09 | 10.03.12 | |
| FABRİKA KODU (FACTORY CODE) | 24 mm | 33,9 mm | 26,2 mm | |
| AĞIRLIK (WEIGHT) | 332 L 28 köşe takozu alternatifi | 331 L 28 köşe takozu alternatifi | 330 L 28 köşe takozu alternatifi | |
| ÇİZİM (DRAWING) |  |  |  | |

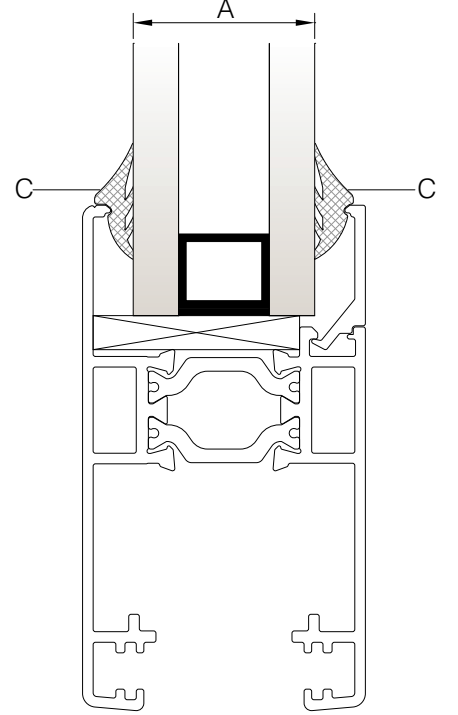
| | | | | |
|-----------------------------|---|---|--|--|
| PROFİL KODU (PROFILE CODE) | 10.03.13 | 10.03.14 | | |
| FABRİKA KODU (FACTORY CODE) | 32 mm | 16,6 mm | | |
| AĞIRLIK (WEIGHT) | 327 L 28 köşe takozu alternatifi | 227 L 28 köşe takozu alternatifi | | |
| ÇİZİM (DRAWING) |  |  | | |



Ölçek/Scale: 1/1



Ölçek/Scale: 1/1



Ölçek/Scale: 1/1

01

02

03

04

05

06

| U TİP FİTİL İÇİN CAM TABLOSU GLASS TABLE FOR U GASKET | | |
|--|---|-------------------------------------|
| | -A- CAM KALINLIĞI GLASS THICKNESS | -B- CAM FİTİLİ GLAZING GASKET |
| 1 | 8 mm | 01.16.31 |
| 2 | 10 mm | 01.16.30 |

| U KAMA TİP FİTİL İÇİN CAM TABLOSU GLASS TABLE FOR U GLAZING GASKET | | |
|---|---|-------------------------------------|
| | -A- CAM KALINLIĞI GLASS THICKNESS | -B- CAM FİTİLİ GLAZING GASKET |
| 1 | 20 mm | 01.16.36 |
| 2 | 24 mm | 01.16.35 |

| KAMA TİP FİTİL İÇİN CAM TABLOSU GLASS TABLE FOR GLAZING GASKET | | |
|---|---|-------------------------------------|
| | -A- CAM KALINLIĞI GLASS THICKNESS | -C- CAM FİTİLİ GLAZING GASKET |
| 1 | 24 mm | 01.17.08 |

STOKTA BULUNAN SİSTEM PROFİLLERİNİN LİSTESİ (LIST OF SYSTEM PROFILES IN STOCK)

| Nr | | | MIN. SİPARİŞ MİKTARI MIN. ORDER QUANTITY |
|----------|---------|-------|---|
| ATS83F01 | A011811 | 75 kg | 150 kg |
| | A011816 | 75 kg | |
| ATS83F02 | A011815 | 75 kg | 150 kg |
| | A011816 | 75 kg | |
| ATS83F03 | A011811 | 75 kg | 150 kg |
| | A011812 | 75 kg | |
| ATS83V01 | A011818 | 75 kg | 150 kg |
| | A011818 | 75 kg | |
| ATS83V03 | A011817 | 75 kg | 150 kg |
| | A011817 | 75 kg | |
| ATS83V09 | A011844 | 75 kg | |
| ATS83V10 | A011814 | 75 kg | |
| ATS83V08 | A011869 | 75 kg | 150 kg |
| | A011869 | 75 kg | |

* STOKTA BULUNMAYAN TÜM PROFİLLER İÇİN MINIMUM SİPARİŞ MİKTARI 300'KG'DİR.
MINIMUM ORDER QUANTITY FOR ALL THE PROFILES THAT ARE NOT IN STOCK IS 300 KG.

01

02

03

04

05

06

MİMARİ KATALOG
ARCHITECTURAL CATALOGUE

Alüminyum Kapı Pencere ve Giydirme Cephe Sistemleri
Aluminium Door Window and Facade Systems

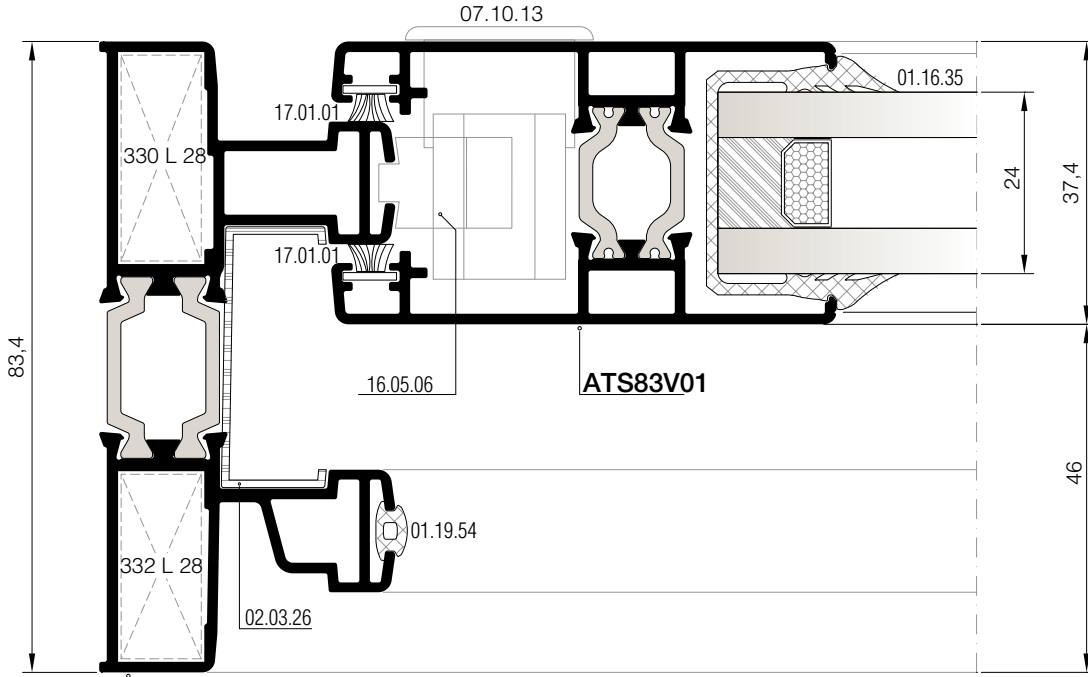
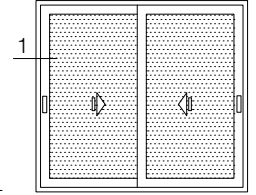
RST83

DETAYLAR

DETAILS

- 01
- 02
- 03
- 04
- 05
- 06

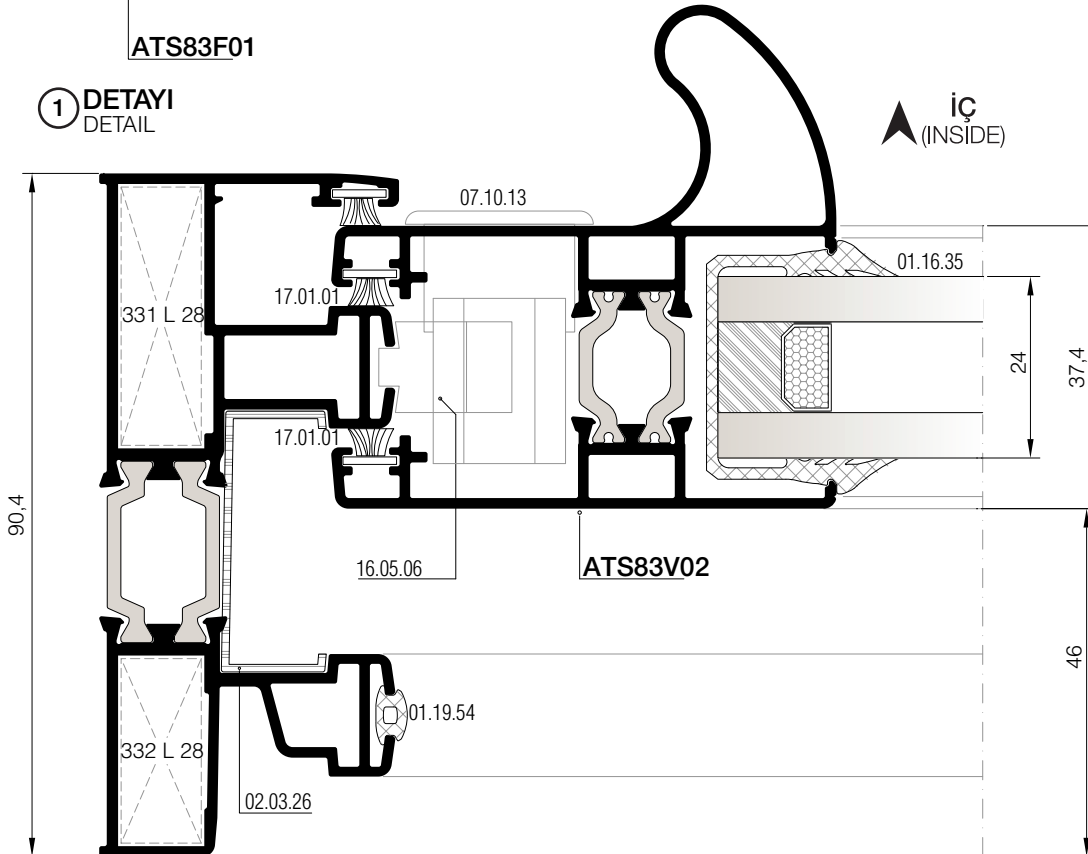
▲ iÇ
(INSIDE)



ATS83F01

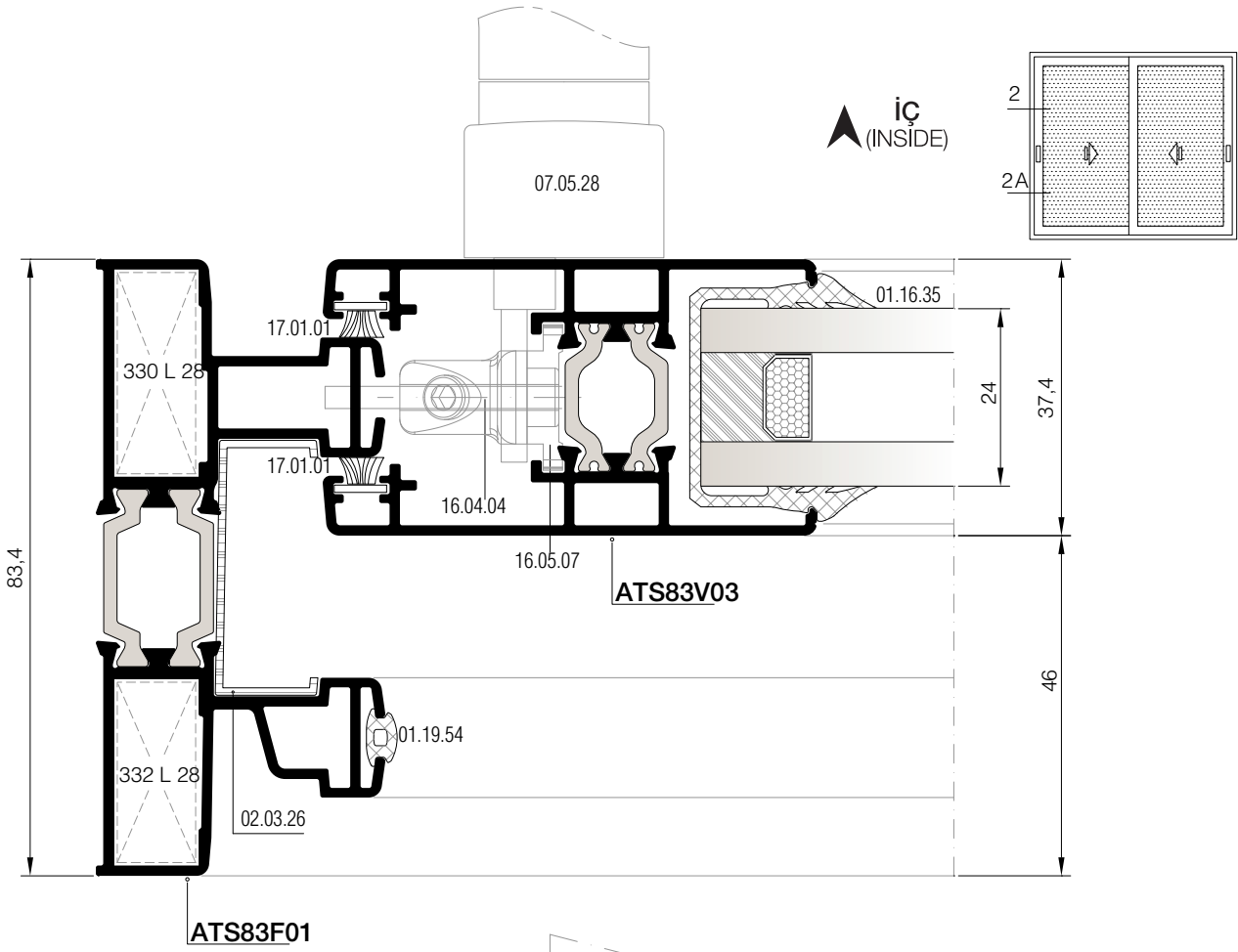
① DETAYI
DETAIL

▲ iÇ
(INSIDE)

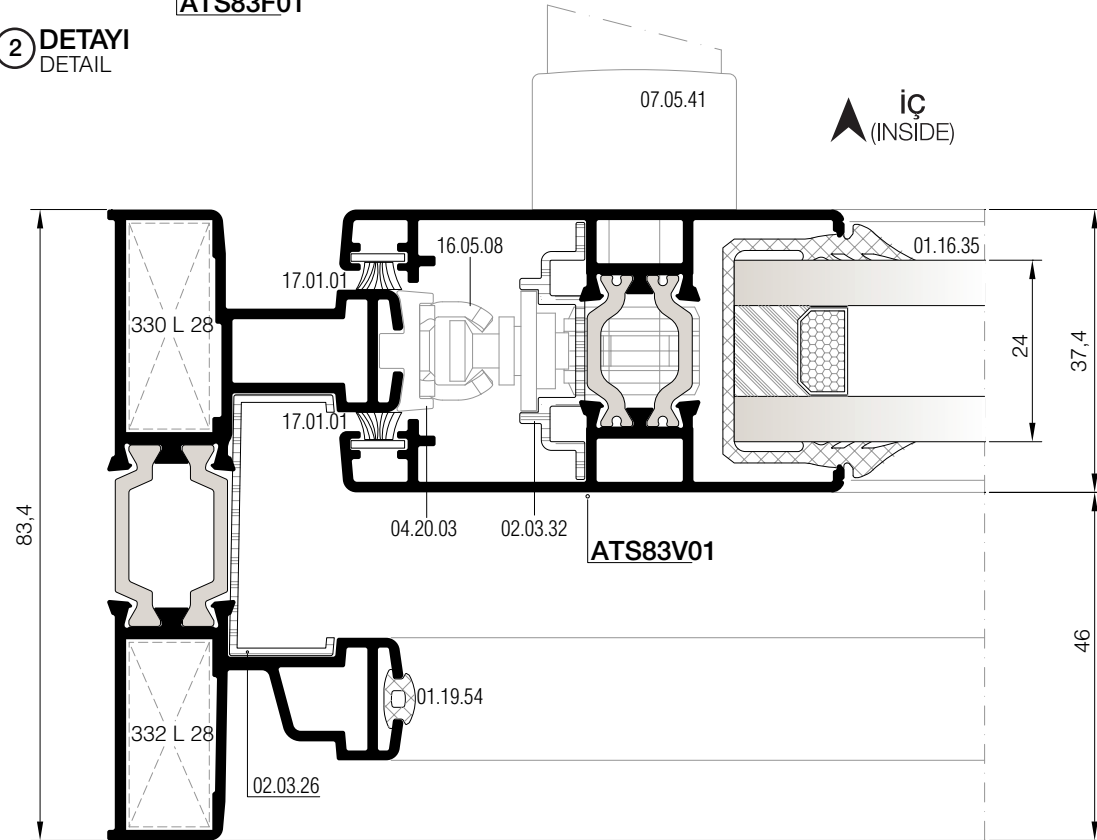


ATS83F02

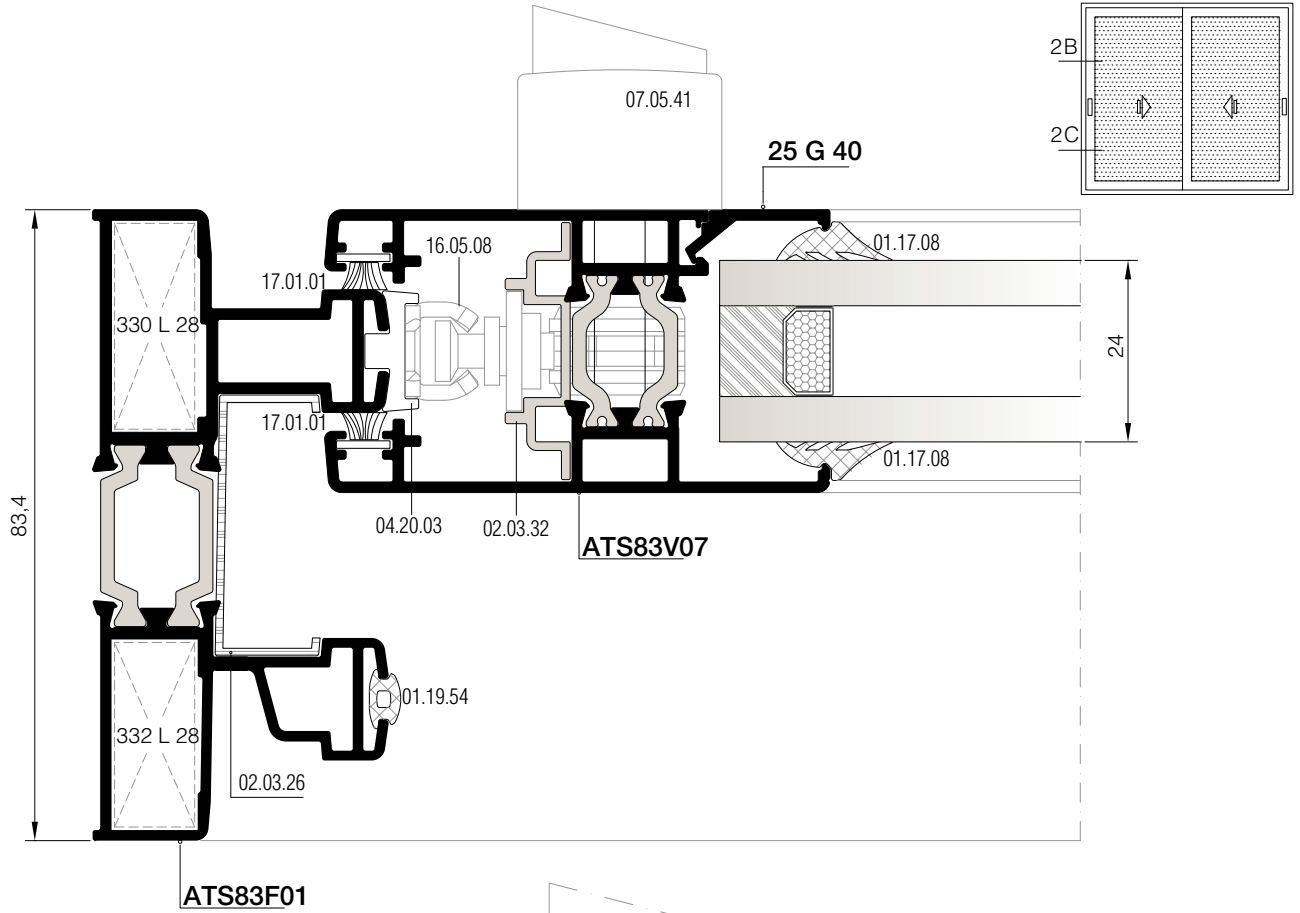
①A DETAYI
DETAIL



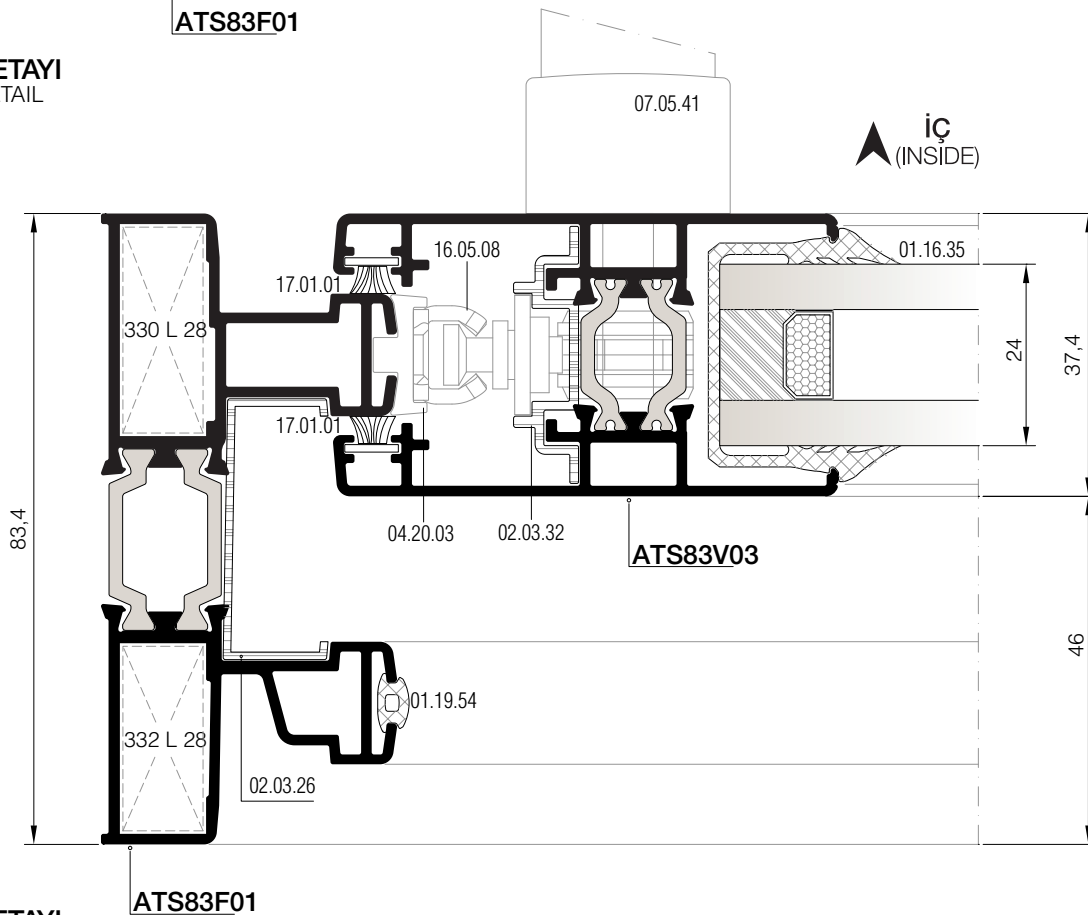
2 DETAYI
DETAIL



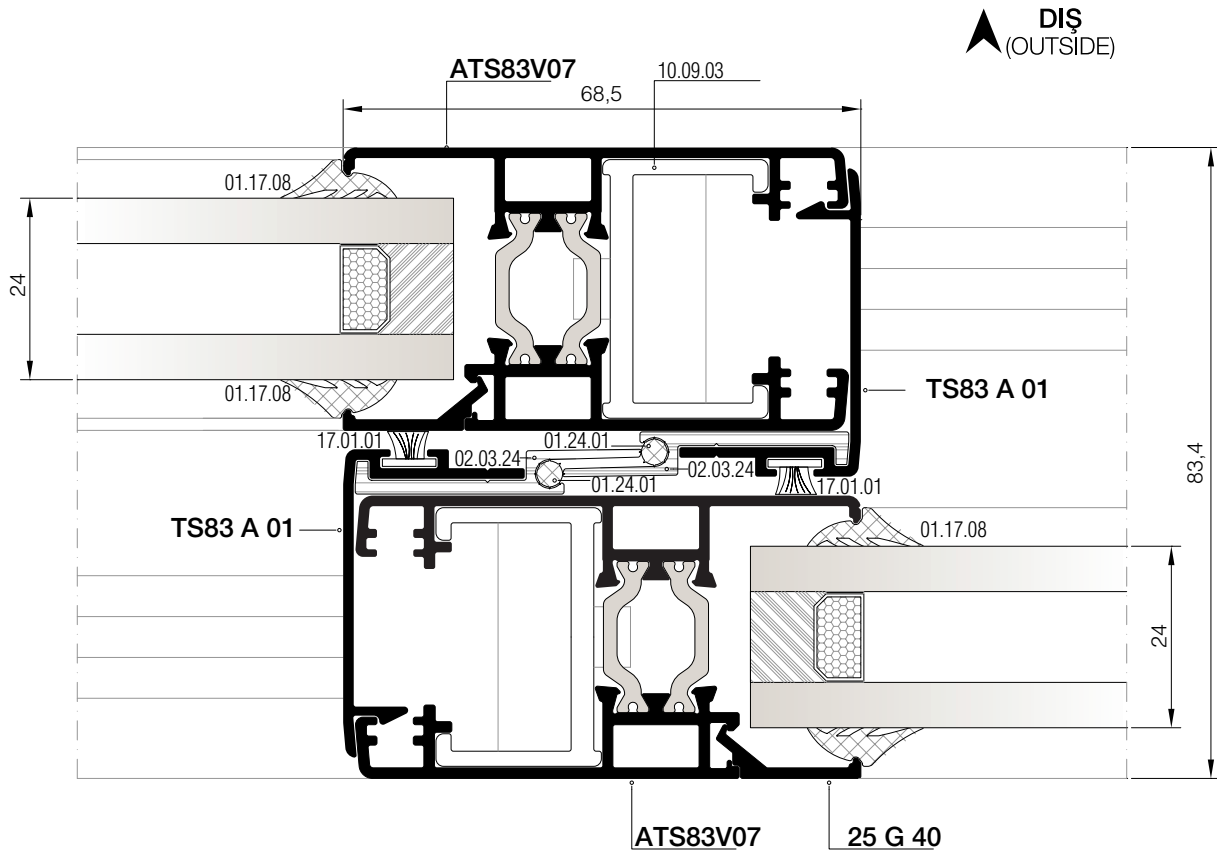
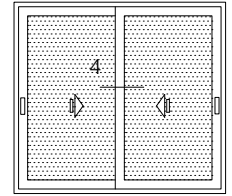
2A DETAYI
DETAIL



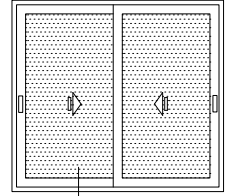
2B DETAYI
DETAIL



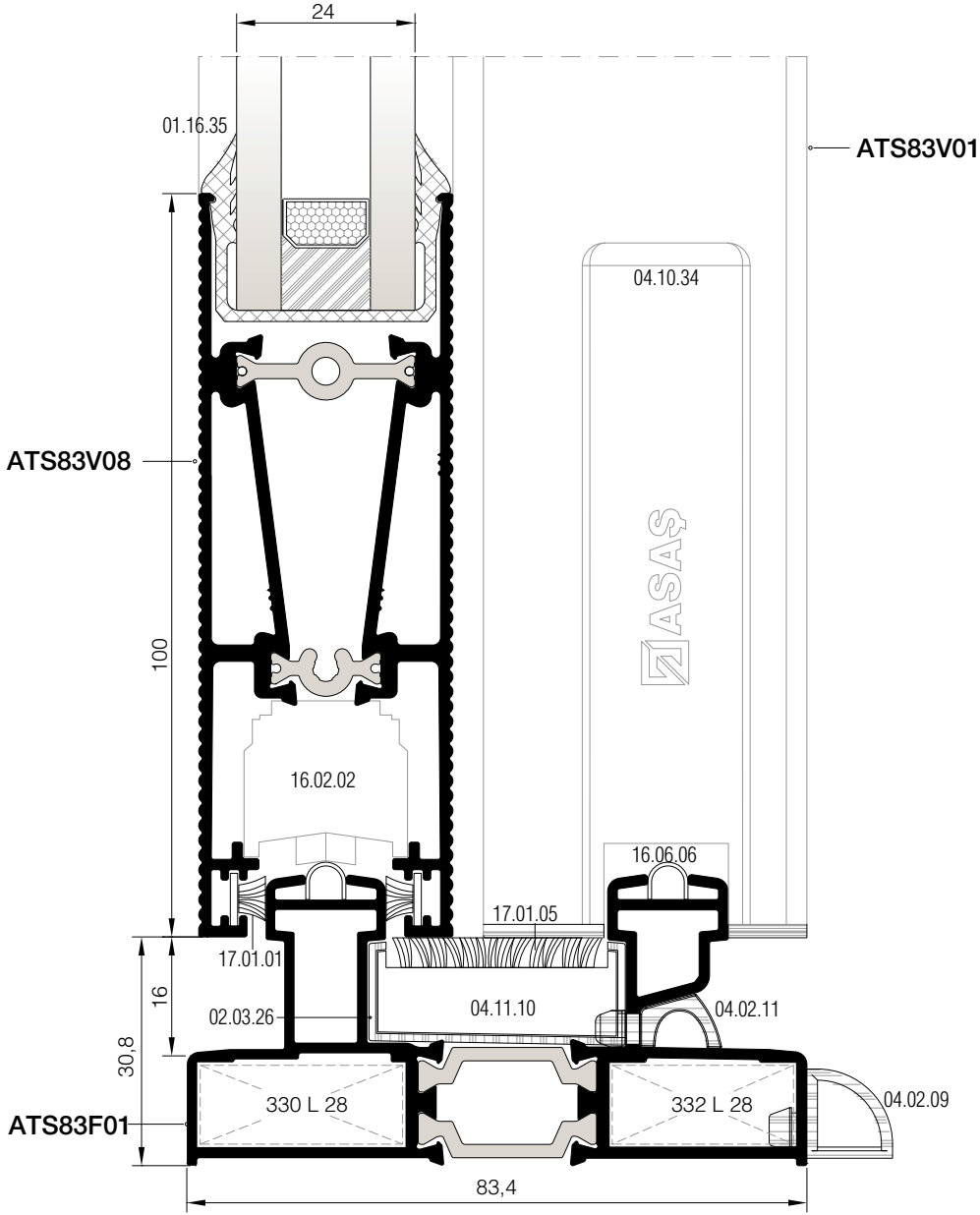
2C DETAYI
DETAIL



4 DETAYI
DETAIL



5



01

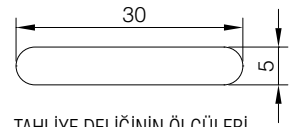
02

03

04

05

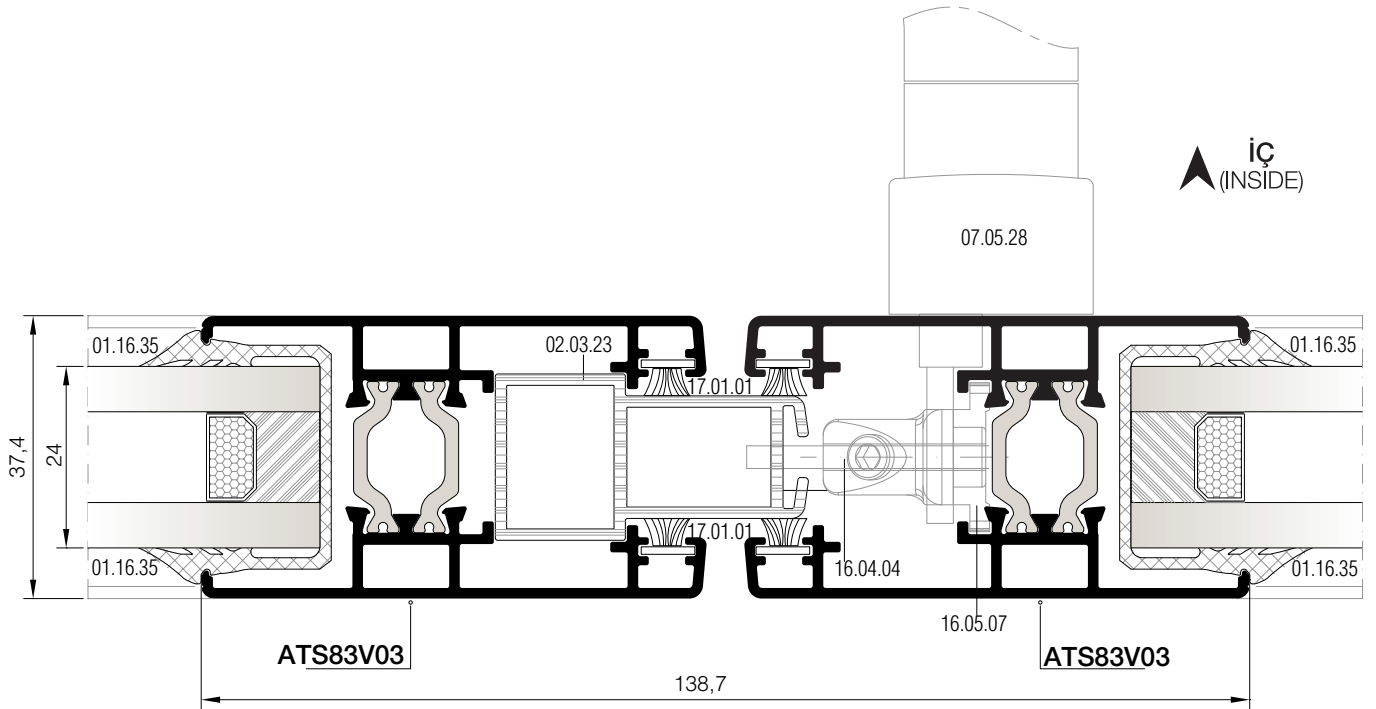
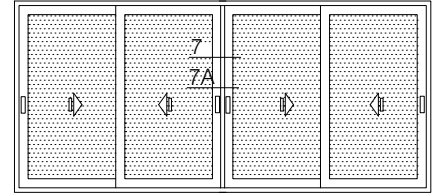
06



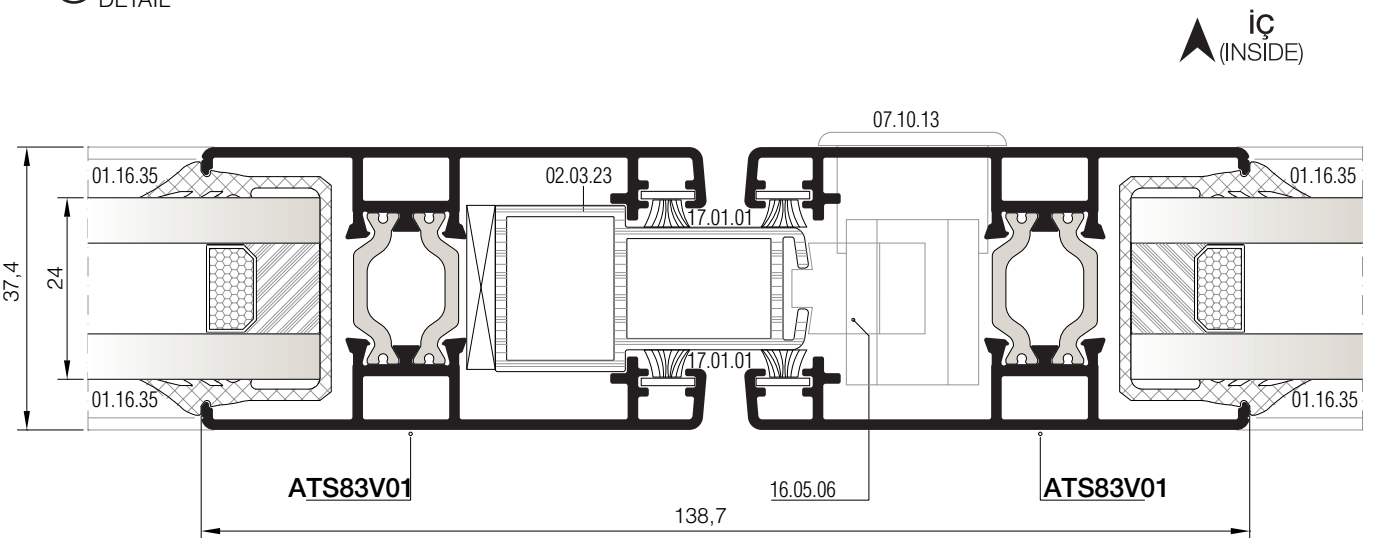
TAHLİYE DELİĞİNİN ÖLÇÜLERİ
DRAINAGE HOLE DIMENSIONS

5 DETAYI
DETAIL

DİŞ
(OUTSIDE) ➔



⑦ DETAYI
DETAIL



⑦A DETAYI
DETAIL

01

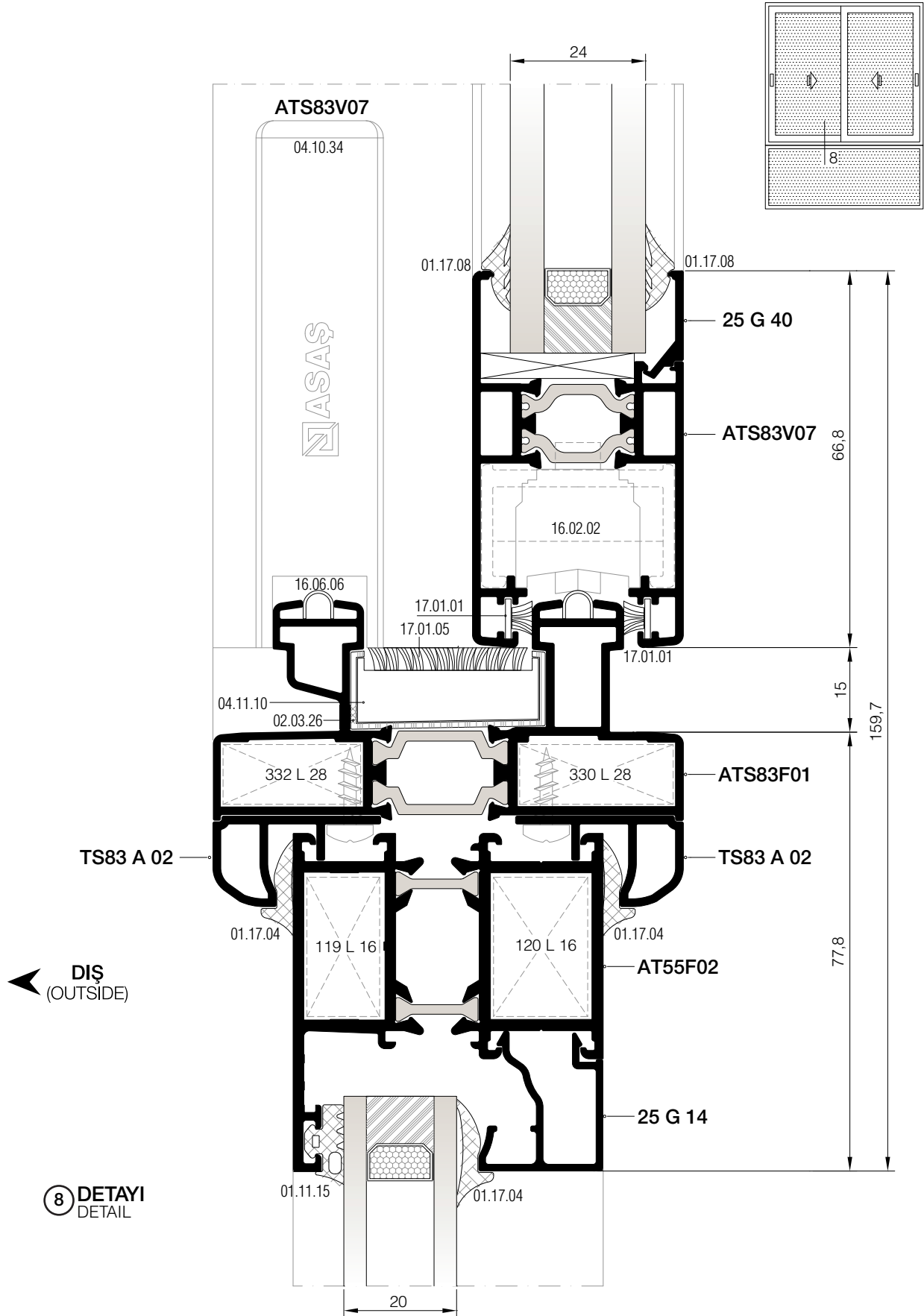
02

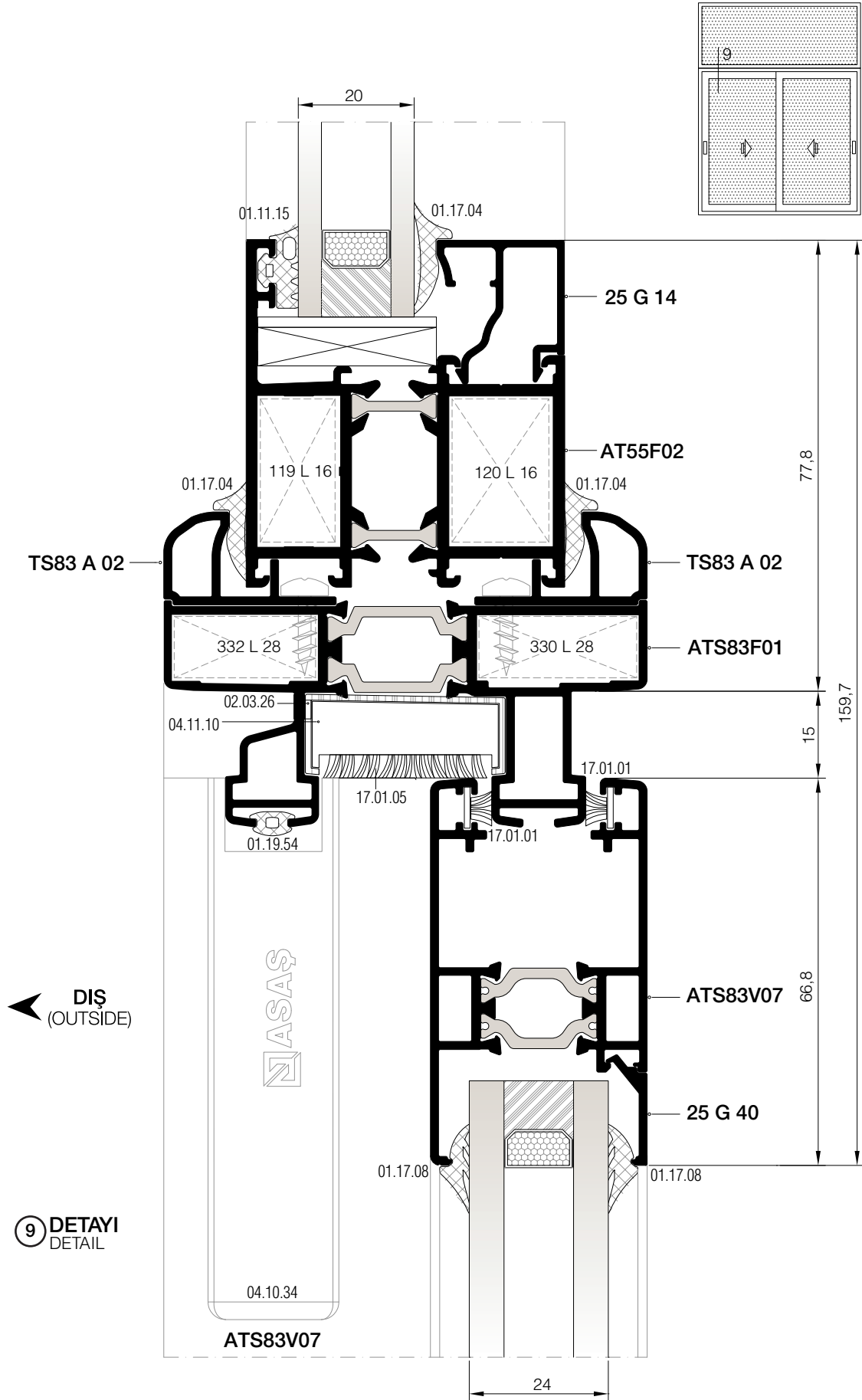
03

04

05

06





01

02

03

04

05

06


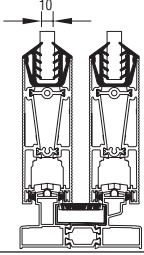

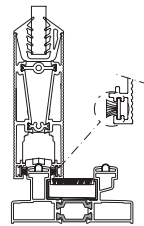

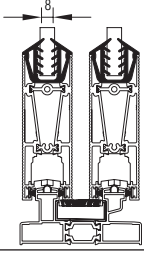

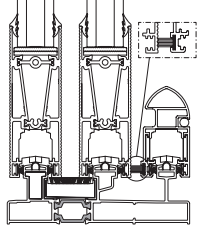

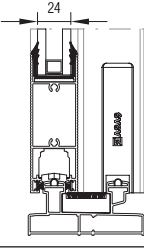

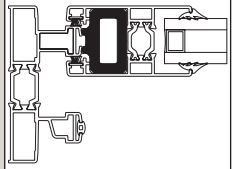

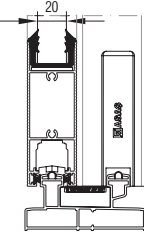

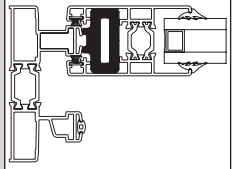


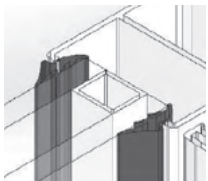

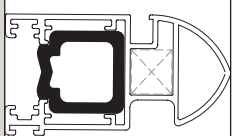
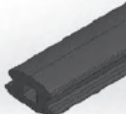

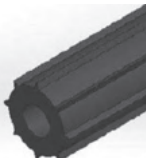
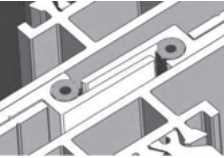
MİMARİ KATALOG
ARCHITECTURAL CATALOGUE




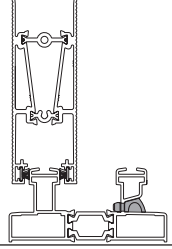

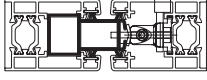
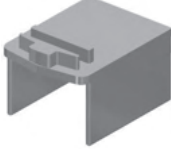
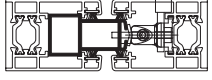
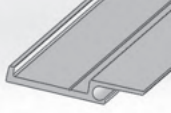
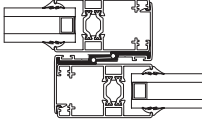

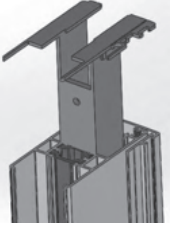
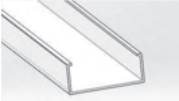
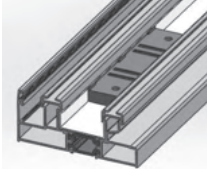

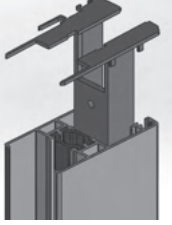

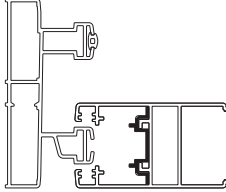

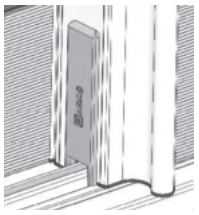
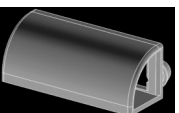
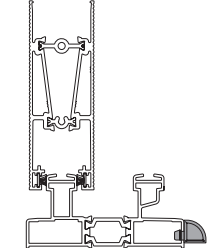

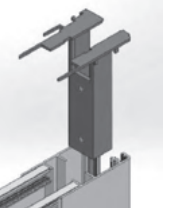
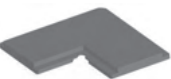
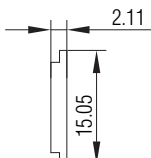

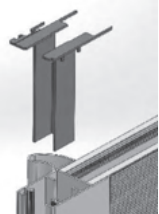
Alüminyum Kapı Pencere ve Giydirme Cephe Sistemleri
Aluminium Door Window and Facade Systems

RST83

AKSESUARLAR

ACCESSORIES

| | | | | | |
|----|---|---|---|--|---|
| |  <p>01.16.30 CAM FİTİLİ GLAZING GASKET Malzeme / Material: EPDM Ağırlık / Weight: 440 gr/m Paket / Package: 35 m / 15 kg</p> |  | |  <p>17.01.01 KIL FİTİL 670X700 BRUSH 670X700 Malzeme / Material: Polipropilen Polipropilene Paket / Package: 275 m</p> |  |
| 01 |  <p>01.16.31 CAM FİTİLİ GLAZING GASKET Malzeme / Material: EPDM Ağırlık / Weight: 509 gr/m Paket / Package: 30 m / 15 kg</p> |  | |  <p>17.01.03 KIL FİTİL BRUSH Malzeme / Material: EPDM Paket / Package: 200 mt</p> |  |
| 02 |  <p>01.16.35 DIŞ CAM FİTİLİ GLAZING GASKET Malzeme / Material : EPDM Ağırlık / Weight : 240 gr/m Paket / Package : 62 m / 15 kg</p> |  | |  <p>19.01.12 STOPER STOPPER Malzeme / Material: EPDM</p> |  |
| 03 |  <p>01.16.36 CAM FİTİLİ GLAZING GASKET Malzeme / Material: EPDM Ağırlık / Weight: 310 gr/m Paket / Package: 48 m / 15 kg</p> |  | |  <p>19.01.13 STOPER STOPPER Malzeme / Material: EPDM</p> |  |
| 04 |  <p>01.17.08 CAM FİTİLİ GLAZING GASKET Malzeme / Material: EPDM Ağırlık / Weight: 51 gr/m Paket / Package: 294 m / 15 kg</p> |  |  |  <p>19.01.10 STOPER STOPPER Malzeme / Material: EPDM TS58 V 06 için / for TS58 V 06)</p> |  |
| 05 |  <p>01.19.54 CAM FİTİLİ GLAZING GASKET Malzeme / Material: EPDM Ağırlık / Weight: 28 gr/m Paket / Package: 530 m / 15 kg</p> |  | | | |
| 06 |  <p>01.24.01 MT-216 A KENET FİTİLİ CONNECTION GASKET Malzeme / Material: EPDM Ağırlık / Weight: 10 gr/m Paket / Package: 1500 m / 15 kg</p> |  | | | |

| | | | | | |
|---|---|---|---|--|---|
|  | 02.03.18 SİNEKLİK ADAPTÖRÜ INSECT SCREEN ADAPTER Malzeme / Material: PVC |  |  | 04.02.11 YAN TAHLİYE KAPAĞI DRAINAGE COVER Malzeme / Material: PVC |  |
|  | 02.03.23 ORTA BİRLEŞİM ADAPTÖRÜ ADAPTER FOR MIDDLE CONNECTION Malzeme / Material: PVC |  |  | 04.06.77 ADAPTÖR KAPAĞI ADAPTER CAP Malzeme / Material: PVC 02.03.23 için / For 02.03.23 |  |
|  | 02.03.24 ORTA KENET ADAPTÖRÜ MIDDLE CLAMPING ADAPTER Malzeme / Material: PVC |  |  | 04.10.32A PVC KAPAK (SOL) PVC CAP (LEFT) Malzeme / Material: PVC ATS83V03 için for ATS83V03 |  |
|  | 02.03.26 PVC YALITIM ADAPTÖRÜ PVC ADAPTER FOR INSULATION Malzeme / Material: PVC |  |  | 04.10.32B PVC KAPAK (SAĞ) PVC CAP (RIGHT) Malzeme / Material: PVC ATS83V03 için for ATS83V03 |  |
|  | 02.03.32 SÜRME KANAT İSPANYOLET ADAPTÖRÜ SLIDING VENT HANDLE ADAPTER Malzeme / Material: PVC |  |  | 04.10.34 PVC KAPAK PVC CAP Malzeme / Material: PVC |  |
|  | 04.02.09 TAHLİYE KAPAĞI DRAINAGE COVER Malzeme / Material: PVC |  |  | 04.10.35A PVC KAPAK (SOL) PVC CAP (LEFT) Malzeme / Material: PVC ATS83V01-ATS83V02 için for ATS83V01-ATS83V02 |  |
|  | 04.07.19 KÖŞE ÇAVUŞU CORNER CLEAT Malzeme / Material: PVC |  |  | 04.10.35B PVC KAPAK (SAĞ) PVC CAP (RIGHT) Malzeme / Material: PVC ATS83V01-ATS83V02 için for ATS83V01-ATS83V02 |  |

01

02

03

04

05

06

| | | | | |
|----|--|--|--|--|
| |  <p>04.10.36A PVC KAPAK (SAĞ) PVC CAP (RIGHT) Malzeme / Material: PVC ATS83V02 / ATS83V05 İÇİN FOR ATS83V02 / ATS83V05</p>  | | | |
| 01 |  <p>04.10.36B PVC KAPAK (SOL) PVC CAP (LEFT) Malzeme / Material: PVC ATS83V02 / ATS83V05 İÇİN FOR ATS83V02 / ATS83V05</p>  | | | |
| 02 |  <p>04.10.37A PVC KAPAK (SOL) PVC CAP (LEFT) Malzeme / Material : PVC ATS83V09-ATS83V10 İÇİN FOR ATS83V09-ATS83V10</p>  | | | |
| 03 |  <p>04.10.37B PVC KAPAK (SAĞ) PVC CAP (RIGHT) Malzeme / Material: PVC FOR ATS83V09-ATS83V10 ATS83V09-ATS83V10 İÇİN</p>  | | | |
| 04 |  <p>04.11.10 ALT-ÜST SEVİYE TAKOZU LOWER-TOP SUPPORT LEVEL Malzeme / Material: PVC</p>  | | | |
| 05 |  <p>10.09.03 PİMLİ KÖŞE BAĞLANTI PVC ADAPTER FOR INSULATION Malzeme / Material: Aluminium casting</p>  | | | |
| 06 |  <p>11.05.01 KANAT SABİTLEME TAKOZU VENT FIXING PART Malzeme / Material: PVC</p>  | | | |

| | |
|---|---|
|  <p>07.05.28 RESCARA GLOBAL PENCERE KOLU (TEK DİLLİ) RESCARA GLOBAL HANDLE FOR WINDOWS (SINGLE RAIL) Renk / Colour: Siyah-Beyaz-Gri Black-White-Grey</p> <p>EN 1670</p> |  <p>07.05.25 GIESSE İSPANYOLET KOL (ÇİFT DİLLİ) GIESSE HANDLE FOR WINDOWS (DOUBLE RAIL) Renk / Colour: Siyah-Beyaz-Gri Black-White-Grey</p> <p>UNI CEI EN ISO / IEC 17050</p> |
|  <p>07.05.32 RESCARA GLOBAL PENCERE KOLU (ÇİFT DİLLİ) RESCARA GLOBAL HANDLE FOR WINDOWS (DOUBLE RAIL) Renk / Colour: Siyah-Beyaz-Gri Black-White-Grey</p> <p>EN 1670, 13126-8</p> |  <p>07.25.01 GIESSE TİJ BAĞLANTI PARÇASI GIESSE CONNECTION ROD Malzeme / Material: Polyamid / Polyamide Renk / Colour: Siyah-Black</p> <p>07.05.25 Kol için / For Handle 07.05.25</p> |
|  <p>07.13.08 RESCARA KOL BAĞLANTI PARÇASI RESCARA CONNECTION PART FOR HANDLE Malzeme / Material: PVC</p> <p>07.05.32 Kol için / For Handle 07.05.32</p> |  <p>07.13.07 KOL BAĞLANTI PARÇASI CONNECTION PART FOR HANDLE Malzeme / Material: Zamak -Zamak</p> <p>07.05.28 Kol için / For Handle 07.05.28</p> |
|  <p>16.05.07 KİLİT ADAPTÖRÜ LOCK ADAPTER</p> <p>07.05.25, 07.05.28 ve 07.05.32 Kolları için / For Handles 07.05.25, 07.05.28 and 07.05.32</p> |  <p>16.05.02 SÜRME KİLİT KARŞILIĞI STRIKER FOR SLIDING LOCK</p> <p>07.05.25, 07.05.28 ve 07.05.32 Kolları için / For Handles 07.05.25, 07.05.28 and 07.05.32</p> |
|  <p>16.04.04 SÜRME DİL SLIDING BOLT</p> <p>07.05.25, 07.05.28 ve 07.05.32 Kolları için / For Handles 07.05.25, 07.05.28 and 07.05.32</p> | |

01

02

03

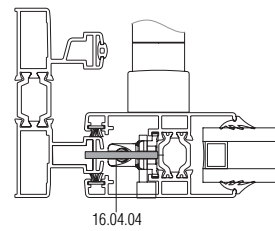
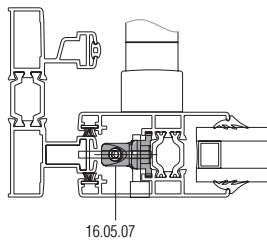
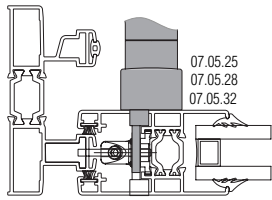
04





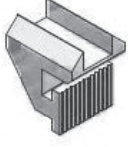

05

06

KOL İLE KİLİTLEME SEÇİM TABLOSU
LOCKING KIT SELECTION TABLE WITH HANDLE

| KOD CODE | TANIM DESCRIPTION | ADET NUMBER | | | | KANAT VENT | |
|--|---|--|-----------------|----------------|-----------------|---------------|----------|
| | | H: 0-1200 mm | H: 1201-1799 mm | H: 1800-2199mm | H: 2200-2500 mm | | |
| RESCARA TEK DİLLİ KOL RESCARA SINGLE RAIL HANDLE | 07.05.28 | RESCARA GLOBAL PENCERE KOLU RESCARA GLOBAL HANDLE | 1 | 1 | 1 | 1 | ATS83V03 |
| | 07.13.07 | KOL BAĞLANTI PARÇASI CONNECTION PART FOR HANDLE | 1 | 1 | 1 | 1 | |
| GIESSE ÇİFT DİLLİ KOL GIESSE DOUBLE RAIL HANDLE | 07.05.25 | GIESSE İSPANYOLET KOL GIESSE HANDLE FOR WINDOWS | 1 | 1 | 1 | 1 | |
| | 07.25.01 | GIESSE TIJ BAĞLANTI PARÇASI GIESSE CONNECTION ROD | 1 | 1 | 1 | 1 | |
| RESCARA ÇİFT DİLLİ KOL RESCARA DOUBLE RAIL HANDLE | 07.05.32 | RESCARA GLOBAL PENCERE KOLU RESCARA GLOBAL HANDLE | 1 | 1 | 1 | 1 | |
| | 07.13.08 | RESCARA KOL BAĞLANTI PARÇASI RESCARA CONNECTION ROD | 1 | 1 | 1 | 1 | |
| 16.05.07 | KİLİT ADAPTÖRÜ LOCK ADAPTER | 2 | 3 | 4 | 5 | | |
| 16.04.04 | SÜRME DİL SLIDING BOLT | 2 | 3 | 4 | 5 | | |
| 16.05.02 | SÜRME KİLİT KARŞILIĞI STRIKER FOR SLIDING LOCK | 2 | 3 | 4 | 5 | | |



| | |
|---|---|
|  <p>07.10.12 HAVUZLU KİLİT ANAHTARLI SLIDING LOCK WITH KEY Malzeme / Material: Alüminyum- Zamak Aluminium -Zamak</p> |  <p>07.10.13 HAVUZLU KİLİT SLIDING LOCK Malzeme / Material: Alüminyum- Zamak Aluminium -Zamak</p> |
|  <p>07.10.14 ÇİFTLİ HAVUZLU KİLİT ANAHTARLI DOUBLE SLIDING LOCK WITH KEY Malzeme / Material: Alüminyum- Zamak Aluminium -Zamak</p> |  <p>07.10.09 HAVUZ KOL SLIDING HANDLE Malzeme / Material: Alüminyum- Zamak Aluminium -Zamak</p> |
|  <p>07.11.03 KOL ÜSTÜ KARŞILIK STRIKER FOR HANDLE 07.10.12 , 07.10.13 , 07.10.14 Sürme Kilit için / For Handle 07.10.12 , 07.10.13 , 07.10.14</p> |  <p>16.05.06 SÜRME KİLİT KARŞILIĞI STRIKER FOR SLIDING LOCK 07.10.12 , 07.10.13 , 07.10.14 Sürme Kilit için / For Handle 07.10.12 , 07.10.13 , 07.10.14</p> |

01

02

03

04

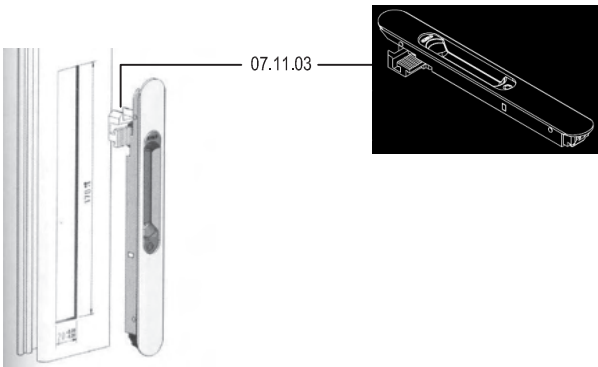
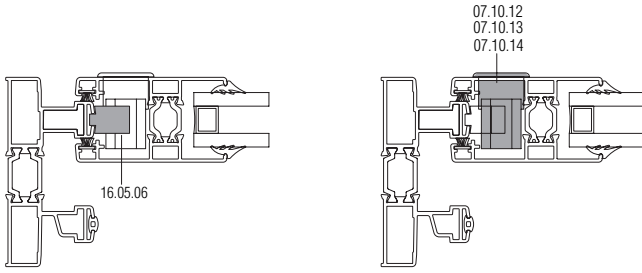
05

06

HAVUZLU KOL İLE KİLİTLEME SEÇİM TABLOSU

LOCKING KIT SELECTION TABLE WITH HANDLE 07.10.13

| KOD CODE | TANIM DESCRIPTION | ADET NUMBER | KANAT VENT |
|----------------------------------|---|----------------|----------------------------------|
| 07.10.12 07.10.13 07.10.14 | HAVUZLU KİLİT SLIDING LOCK | 1 | ATS83V01 ATS83V02 ATS83V07 |
| 16.05.06 | SÜRME KİLİT KARŞILIĞI STRIKER FOR SLIDING LOCK | 1 | |
| 07.11.03 | KOL ÜSTÜ KARŞILIK STRIKER FOR HANDLE | 1 | |



07.10.13

01

02

03

04

05

06



07.05.41

RESCARA AKUSTİK PENCERE KOLU
RESCARA ACOUSTIC HANDLE

Renk / Colour: Siyah-Beyaz-Gri
Black-White-Grey



07.05.42

RESCARA AKUSTİK PENCERE KOLU
RESCARA ACOUSTIC HANDLE

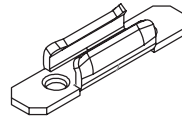
Renk / Colour: Siyah-Beyaz-Gri
Black-White-Grey



07.05.48

RESCARA GİZLİ SÜRME KOLU
RESCARA HIDDEN SLIDING HANDLE

Renk / Colour: Siyah-Beyaz-Gri
Black-White-Grey



16.05.08

SÜRME KİLİT KARŞILIĞI
STRIKER FOR SLIDING LOCK

07.05.41, 07.05.42, 07.05.48 PVC Kol için / For PVC Handle 07.05.41, 07.05.42, 07.05.48

07.18.XX

15 EKSEN SÜRME İSPANYOLETİ İ
15 AXIS STEEL GEARBOX SLIDING ESPOGNOLETTE

Renk / Colour: Siyah-Beyaz-Gri
Black-White-Grey



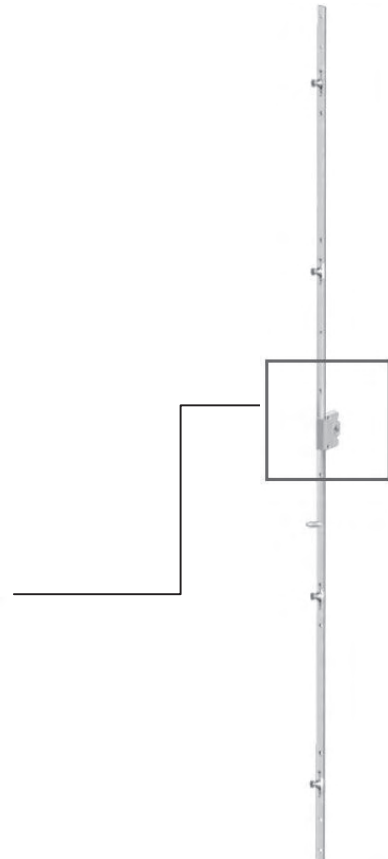
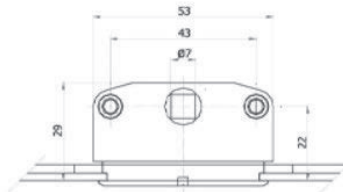
04.20.03

SÜRME KİLİT KARŞILIĞI ALT PLASTİK PARÇASI
TIN PLATE STRIKER FOR SLIDING LOCK

Malzeme / Material : PVC

07.18.xx 15 EKSEN SÜRME İSPANYOLETİ
07.18.xx 15 AXIS STEEL GEARBOX SLIDING ESPOGNOLETTE

| KOD CODE | ÖLÇÜ DIMENSION |
|-------------|-----------------------|
| 07.18.32 | h: 600mm-800 mm / 15 |
| 07.18.33 | h: 800mm-1000mm / 15 |
| 07.18.34 | h: 1000mm-1200mm / 15 |
| 07.18.35 | h: 1200mm-1400mm / 15 |
| 07.18.36 | h: 1400mm-1600mm / 15 |
| 07.18.37 | h: 1600mm-1800mm / 15 |
| 07.18.38 | h: 1800mm-2000mm / 15 |
| 07.18.39 | h: 2000mm-2100mm / 15 |



01

02

03

04

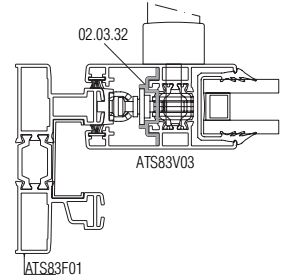
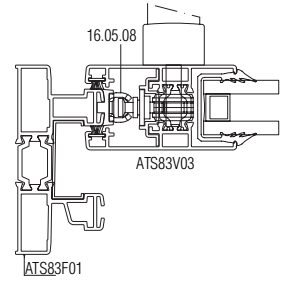
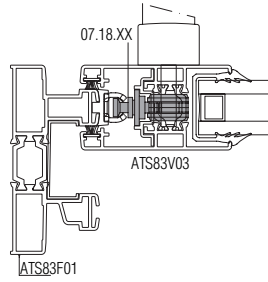
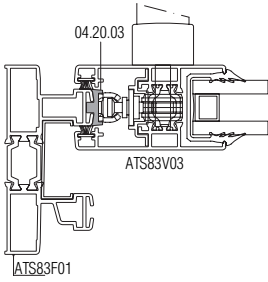
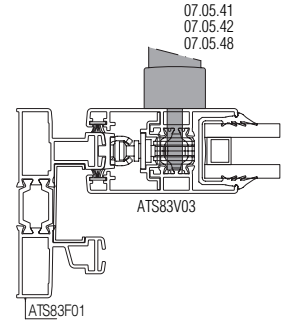
05

06

PVC KOL İLE KİLİTLEME SEÇİM TABLOSU

LOCKING KIT SELECTION TABLE WITH PVC HANDLE

| KOD CODE | TANIM DESCRIPTION | ADET NUMBER | KANAT VENT |
|----------------------------------|---|---|----------------------------------|
| 07.05.41 07.05.42 07.05.48 | PVC İSPANYOLET KOL PVC HANDLE | 1 | ATS83V01 ATS83V03 ATS83V07 |
| 16.05.08 | SÜRME KİLİT KARŞILIĞI STRIKER FOR SLIDING LOCK | BKZ.07.18.xx SEÇİM TABLOSU SEE 07.18.xx SELECTION TABLE | |
| 04.20.03 | SÜRME SAC KARŞILIĞI TIN PLATE STRIKER FOR SLIDING LOCK | BKZ. 07.18.xx SEÇİM TABLOSU SEE 07.18.xx SELECTION TABLE | |
| 07.18.XX | TIJLİ KİLİT SİSTEMİ ROD LOCKING SYSTEM | 1 | |



07.18.xx 15 EKSEN SÜRME İSPANYOLETİ
07.18.xx 15 AXIS STEEL GEARBOX SLIDING ESPOGNOLETTE

| KOD CODE | ÖLÇÜ DIMENSION | 16.05.08 ADET/NUMBER | 04.20.03 ADET/NUMBER |
|-------------|-----------------------|-------------------------|-------------------------|
| 07.18.32 | h: 600mm-800mm / 15 | 2 | 2 |
| 07.18.33 | h:800mm-1000mm / 15 | 2 | 2 |
| 07.18.34 | h: 1000mm-1200mm / 15 | 3 | 3 |
| 07.18.35 | h: 1200mm-1400mm / 15 | 3 | 3 |
| 07.18.36 | h: 1400mm-1600mm / 15 | 3 | 3 |
| 07.18.37 | h:1600mm-1800mm / 15 | 3 | 3 |
| 07.18.38 | h:1800mm-2000mm / 15 | 4 | 4 |
| 07.18.39 | h: 2000mm-2100mm / 15 | 4 | 4 |

| | |
|--|---|
|  <p>16.02.02 GIESSE AYARLI ÇİFTLİ RULMAN GIESSE ADJUSTABLE CARRERA 2 PULLEYS</p> <p>Malzeme / Material: Alüminyum- Zamak Aluminium -Zamak</p> <p>2 Adet 180 kg taşır. / 180 kg with 2 pulleys EN 13126-15 : 2008</p> |  <p>16.02.07 RESCARA AYARLI ÇİFTLİ RULMAN RESCARA ADJUSTABLE CARRERA 2 PULLEYS</p> <p>2 Adet 120 kg taşır. / 120 kg with 2 pulleys</p> |
|  <p>16.01.01 AYARLI TEKLİ RULMAN PULLEY WITH SINGLE WHEEL</p> <p>Malzeme / Material: Alüminyum- Zamak Aluminium -Zamak</p> <p>2 Adet 35 kg taşır. / 35 kg with 2 pulleys Max. kanat ölçüsü 600x1500./ Max. vent dimension 600x1500</p> |  <p>16.01.02 AYARLI ÇİFTLİ RULMAN ADJUSTABLE PULLEY</p> <p>Malzeme / Material: Alüminyum- Zamak Aluminium -Zamak</p> <p>2 Adet 65 kg taşır. / 65 kg with 2 pulleys Max. kanat ölçüsü 1000x2100./ Max. vent dimension 1000x2100</p> |
|  <p>16.01.12 METAL TEKERLEKLİ AYARLI RULMAN STEEL ADJUSTABLE PULLEY</p> <p>2 Adet 65 kg taşır. / 65 kg with 2 pulleys Max. kanat ölçüsü 1000x2100./ Max. vent dimension 1000x2100</p> |  <p>16.01.13 METAL TEKERLEKLİ AYARLI RULMAN PULLEY WITH SINGLE WHEEL</p> <p>2 Adet 35 kg taşır. / 35 kg with 2 pulleys Max. kanat ölçüsü 600x1500./ Max. vent dimension 600x1500</p> |
|  <p>16.02.06 SİNEKLİK RULMANI PULLEY FOR INSECT SCREEN</p> |  <p>16.06.06 ÇELİK RAY STEEL RAIL</p> <p>Malzeme / Material: Paslanmaz Çelik Stainless Steel</p> |
|  <p>21.01.09 PUNCH MAKİNESİ PUNCH MACHINE</p> <p>Pnömatik</p> |  <p>21.01.09A KENET İÇİN PUNCH MAKİNESİ PUNCH MACHINE</p> <p>Pnömatik</p> |

01

02

03

04

05

06

MİMARİ KATALOG
ARCHITECTURAL CATALOGUE

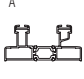
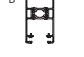

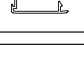
Alüminyum Kapı Pencere ve Giydirme Cephe Sistemleri
Aluminium Door Window and Facade Systems

RST83

İMALAT DETAYLARI

FABRICATION DETAILS

PROFİLLER / Profiles

| KOD Code | PROFİL Profile | ADET Unit | KESİM ÖLÇÜSÜ Cutting Dimension |
|-------------|---|--------------|-----------------------------------|
| ATS83F01 |  | 2 | L |
| | | 2 | H |
| ATS83V01 |  | 4 | H - 65,15 |
| ATS83V08 |  | 4 | L / 2 - 91,77 |
| TS83A01 |  | 2 | H - 65,15 |
| CAM /Glass | | 2 | L / 2 - 102,5 |
| | | 2 | H - 232,18 |

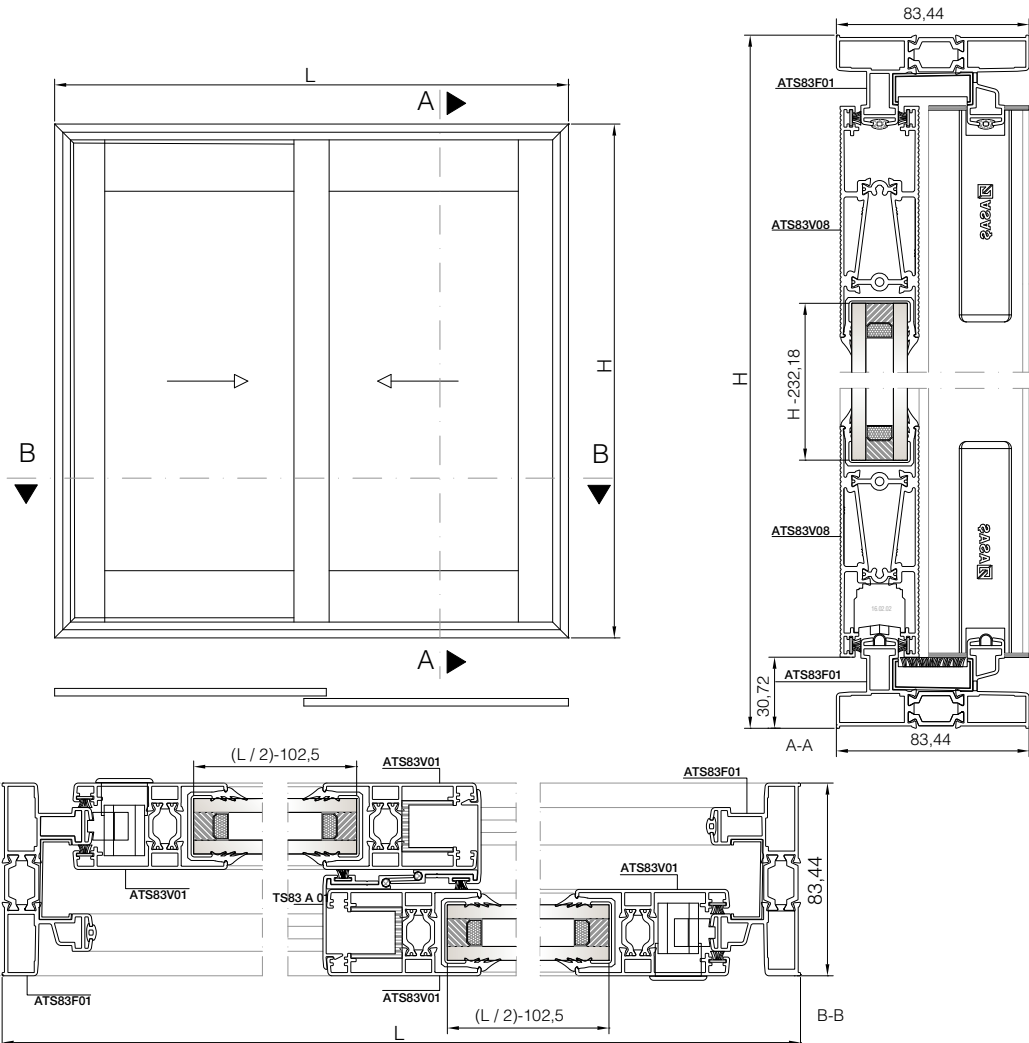
FİTİLLER / Gaskets

| | | |
|-----------|---|------------|
| 01.16.35 | CAM U FİTİLİ / U Glazing Gasket | 4H+2L |
| 01.19.54 | RAY FİTİLİ / Rail Gasket | 4H+2L |
| 01.24.01 | MT-216 KENET FİTİLİ / Connection Gasket | 2(H-65,15) |
| 16.06.06 | ÇELİK RAY / Steel Rail | 2L |
| 17.01.01 | KİL FİTİL / Brush Seal | 6H+4L |
| *17.01.05 | KİL FİTİL / Brush Seal | 256 mm |

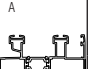
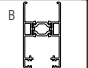
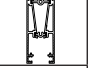


*17.01.05 , 04.11.10 nolu aksesuar için kullanılır.
04.11.10 nolu aksesuar adeti x 128 mm

AKSESUARLAR / Accessories

| KOD Code | AÇIKLAMA Description | ADET Unit | KESİM ÖLÇÜSÜ Cutting Dimension |
|-------------|--|--------------|-----------------------------------|
| 330 L 28 | KÖŞE TAKOZU / Corner Cleat | 4 | |
| 332 L 28 | KÖŞE TAKOZU / Corner Cleat | 4 | |
| 04.10.34 | PVC KAPAK / PVC Cap | 4 | |
| 04.10.35A | PVC KAPAK (SOL) / PVC Cap (Left) | 2 | |
| 04.10.35B | PVC KAPAK (SAĞ) / PVC Cap (Right) | 2 | |
| 04.11.10 | ALT-ÜST SEVİYE TAKOZU Bottom-Upper Leveling Cleat | 2 | |
| 02.03.24 | ORTA KENET ADAPTÖRÜ Connection Gasket | 2 | H-65,15 |
| 02.03.26 | PVC YALITIM ADAPTÖRÜ PVC Insulation Adapter | 2 | L - 32,3 |
| | | 2 | H - 32,3 |
| 07.10.13 | HAVUZLU KİLİT / Sliding Lock | 2 | |
| 16.05.06 | SÜRME KİLİT ADAPTÖRÜ/Sliding Lock Adapter | 2 | |
| 07.11.03 | KOL ÜSTÜ KARŞILIK / Striker for Handle | 2 | |
| 16.02.02 | RULMAN / Giesse Adjustable Carrera | 4 | |



PROFİLLER / Profiles

| KOD CODE | PROFİL Profile | ADET Unit | KESİM ÖLÇÜSÜ Cutting Dimension |
|-------------|---|--------------|-----------------------------------|
| ATS83F02 |  | 2 | L |
| | | 2 | H |
| ATS83V01 |  | 1 | H - 65,15 |
| ATS83V08 |  | 4 | L / 2 - 80,59 |
| ATS83V05 |  | 1 | H - 65,15 |
| ATS83V06 |  | 1 | H - 65,15 |
| CAM /Glass | | 2 | L / 2 - 88,06 |
| | | 2 | H - 232,18 |

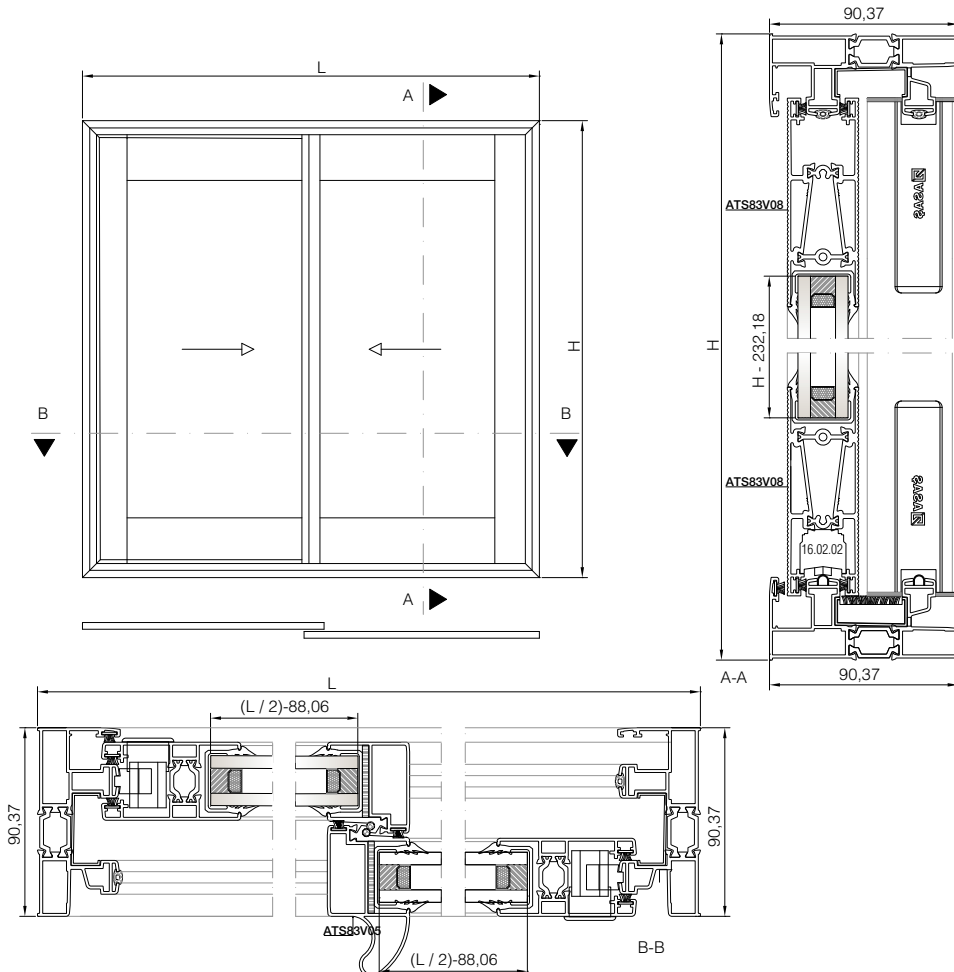
FİTİLLER / Gaskets

| | | |
|-----------|---|-------------|
| 01.16.35 | CAM U FİTİLİ / U Glazing Gasket | 4H+2L |
| 01.19.54 | RAY FİTİLİ / Rail Gasket | 4H+2L |
| 01.24.01 | MT-216 KENET FİTİLİ / Connection Gasket | 2 (H-65,15) |
| 16.06.06 | ÇELİK RAY / Steel Rail | 2L |
| 17.01.01 | KİL FİTİL / Brush Seal | 6H+4L |
| *17.01.05 | KİL FİTİL / Brush Seal | 256 mm |

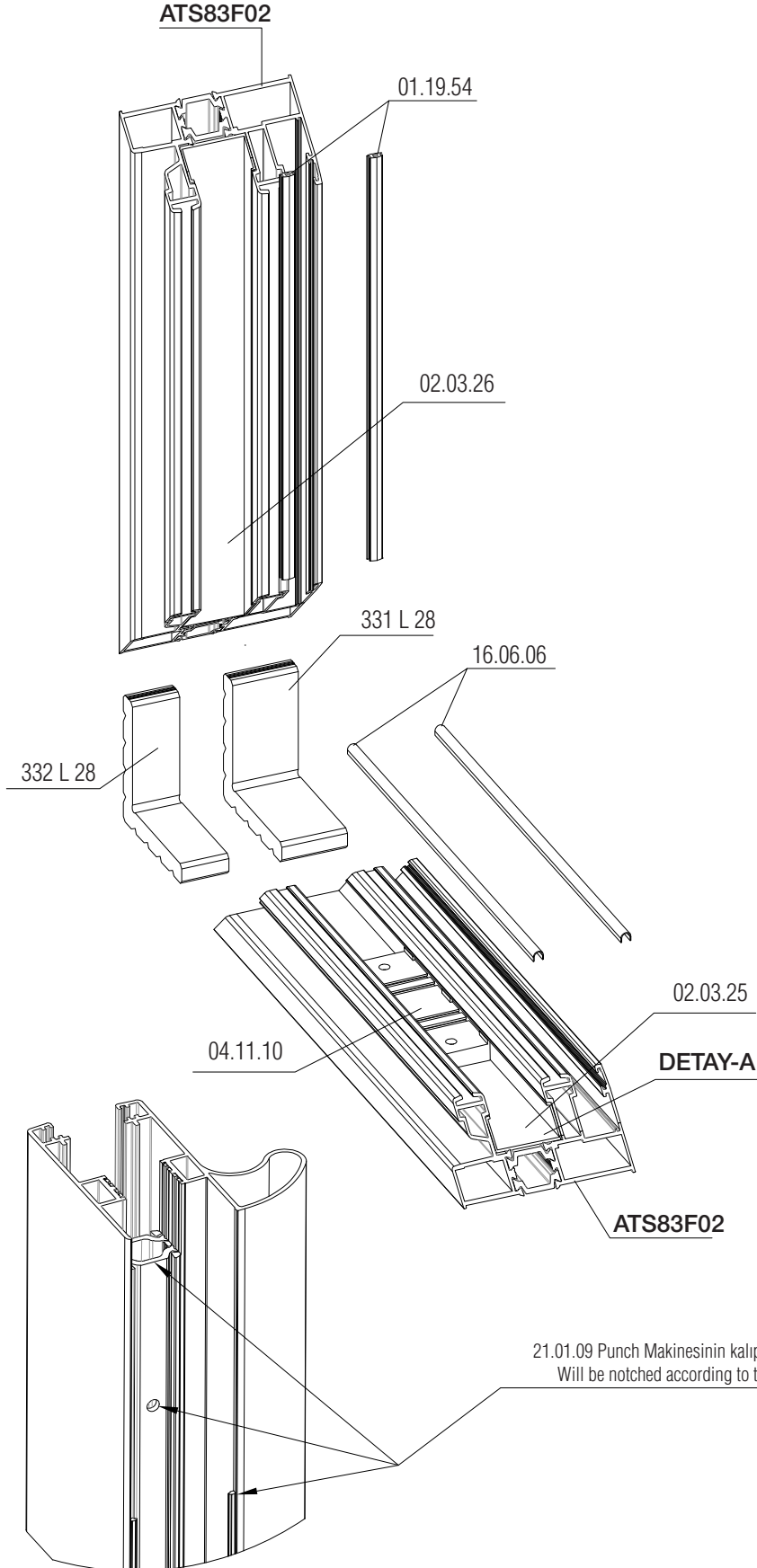
*17.01.05 , 04.11.10 nolu aksesuar için kullanılır.
04.11.10 nolu aksesuar adeti x 128 mm

AKSESUARLAR / Accessories

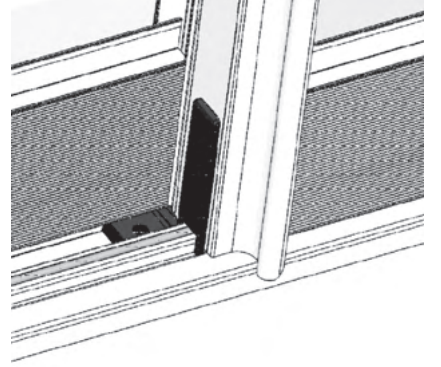
| KOD CODE | AÇIKLAMA description | ADET Unit | KESİM ÖLÇÜSÜ Cutting Dimension |
|-------------|--|--------------|-----------------------------------|
| 331 L 28 | KÖŞE TAKOZU / Corner Cleat | 4 | |
| 332 L 28 | KÖŞE TAKOZU / Corner Cleat | 4 | |
| 04.10.34 | PVC KAPAK / PVC Cap | 4 | |
| 04.10.35A-B | PVC Kapak (Kertilmiş) PVC Cap | 4 | |
| 04.10.37A | PVC KAPAK (SOL) / PVC Cap (Left) | 2 | |
| 04.10.37B | PVC KAPAK (SAĞ) / PVC Cap (Right) | 2 | |
| 04.10.36A-B | PVC KAPAK (SAĞ - SOL) PVC CAP (Right - Left) | 2 | |
| 04.11.10 | ALT-ÜST SEVİYE TAKOZU Bottom-Upper Leveling Cleat | 2 | |
| 02.03.26 | PVC YALITIM ADAPTÖRÜ PVC Insulation Adapter | 2 | L - 32,3 |
| | | 2 | H - 32,3 |
| 07.10.13 | HAVUZLU KİLİT / Sliding Lock | 2 | |
| 16.05.06 | SÜRME KİLİT ADAPTÖRÜ / Sliding Lock Adapter | 2 | |
| 07.11.03 | KOL ÜSTÜ KARŞILIK / Striker for Handle | 2 | |
| 16.02.02 | RULMAN / Giesse Adjustable Carrera | 4 | |



(1) KASA KÖŞE BAĞLANTI DETAYI
FRAME CORNER DETAIL



DETAY-A



01

02

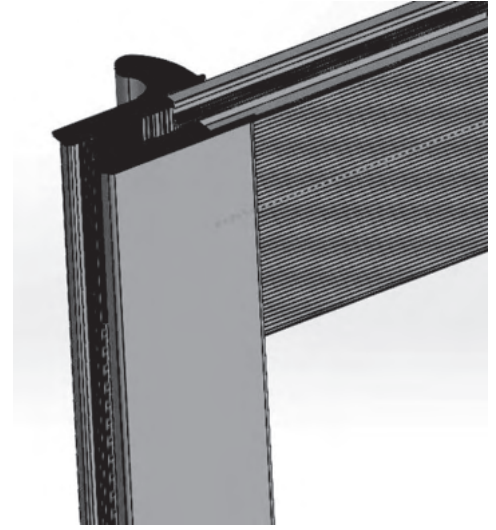
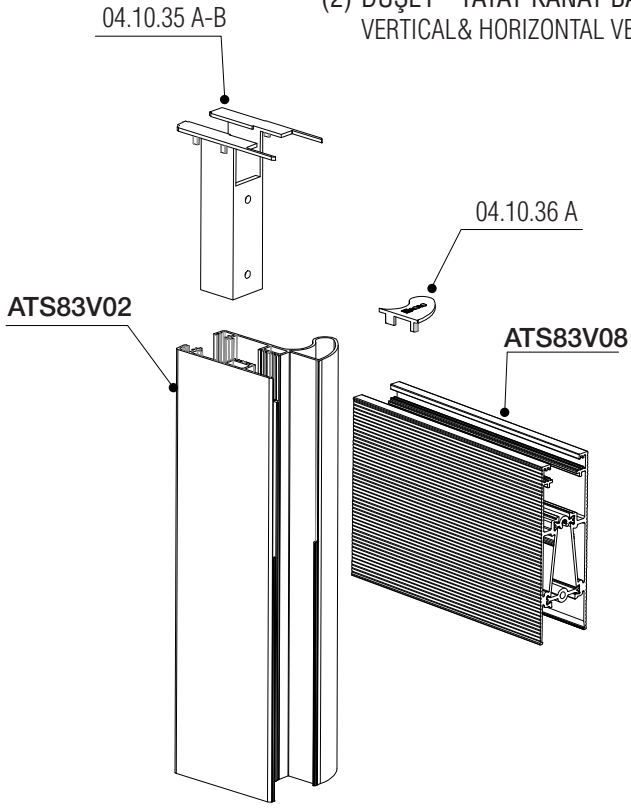
03

04

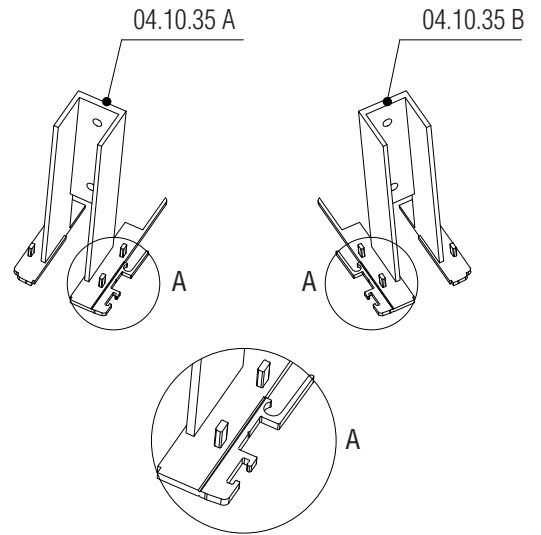
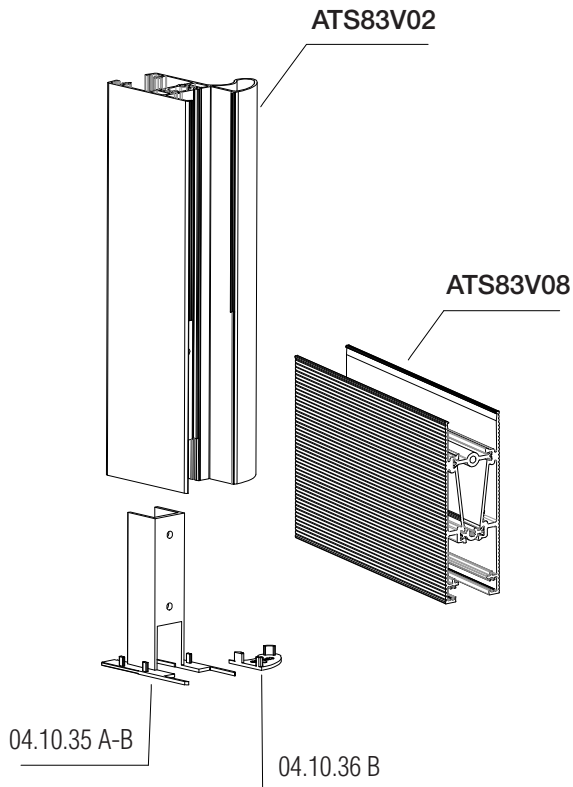
05

06

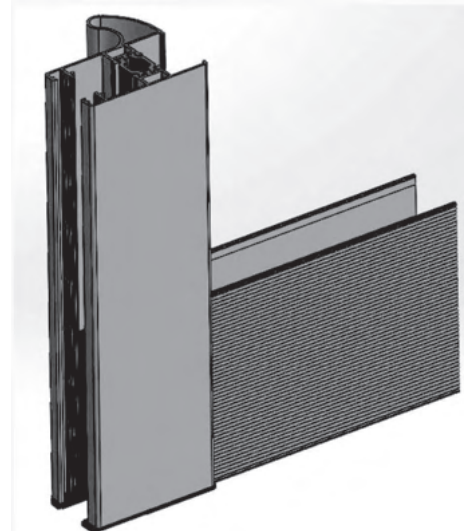
(2) DÜŞEY - YATAY KANAT BAĞLANTI DETAYI (ÜST)
VERTICAL & HORIZONTAL VENT CONNECTION DETAIL (UPPER)



(3) DÜŞEY - YATAY KANAT BAĞLANTI DETAYI (ALT)
VERTICAL & HORIZONTAL VENT CONNECTION DETAIL (BOTTOM)



*Montaj esnasında gerekmediği yerlerde kopartılacaktır.



01

02

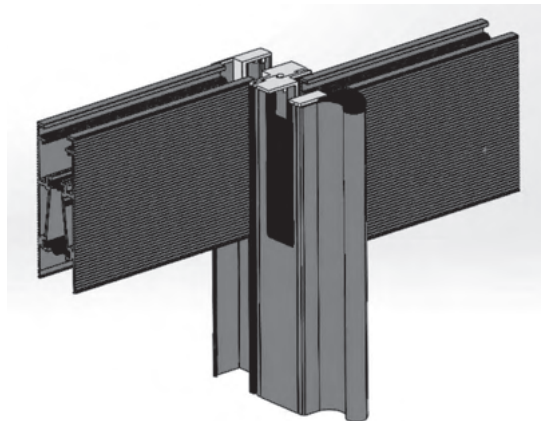
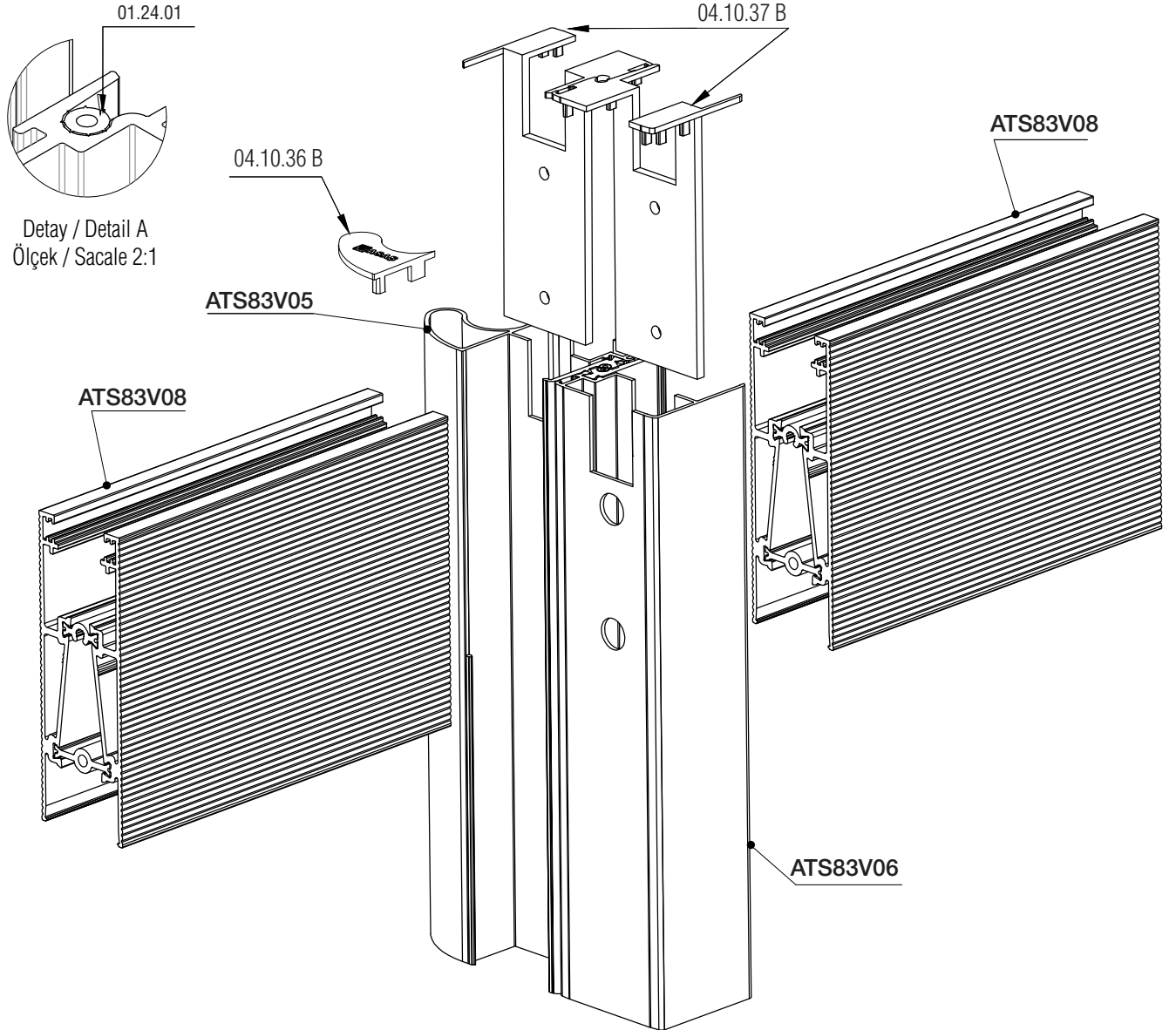
03

04

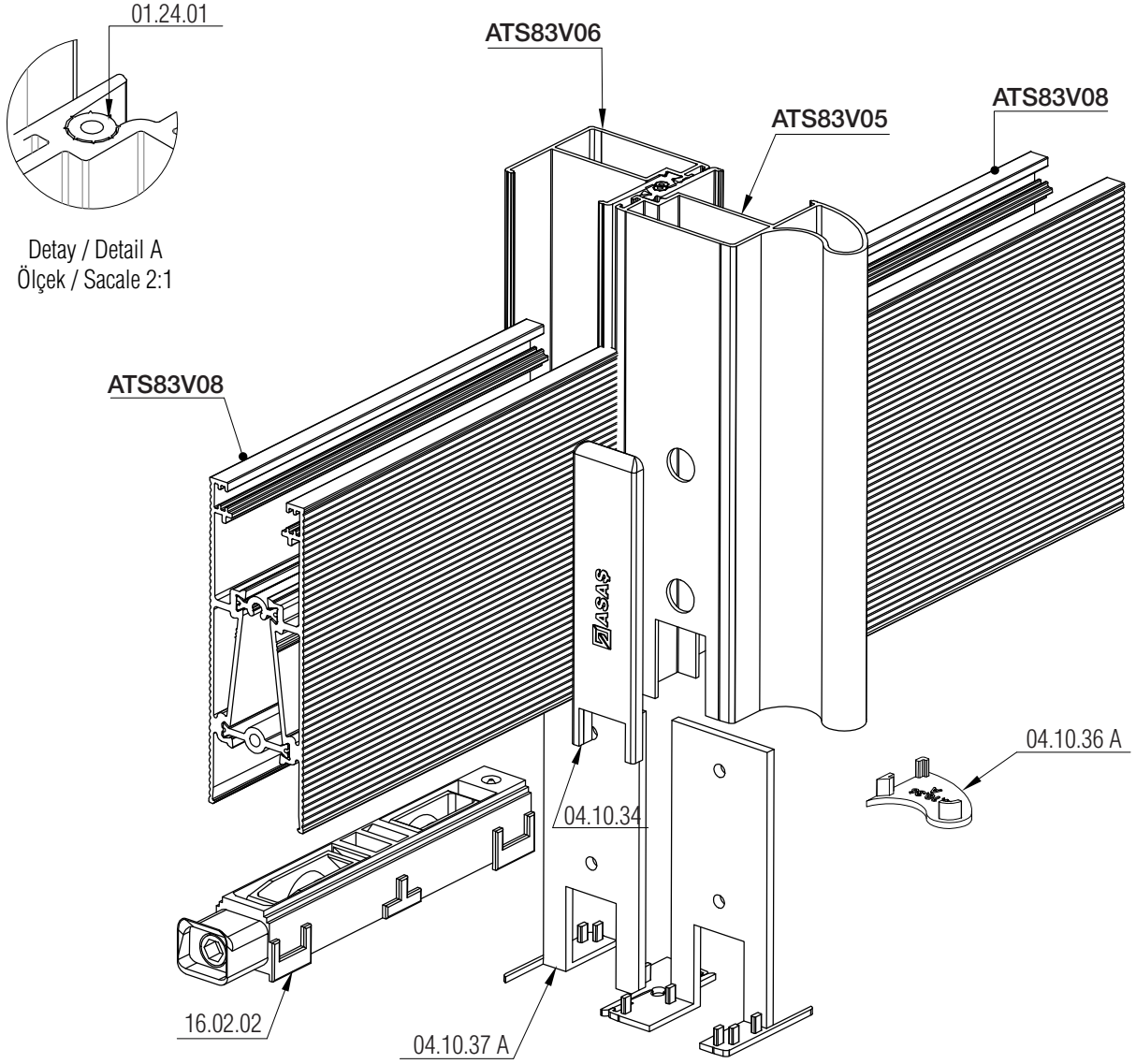
05

06

(3) ORTA KAYIT BAĞLANTI DETAYI (ÜST)
MULLION CONNECTION DETAIL (UPPER)



(4) ORTA KAYIT BAĞLANTI DETAYI (ALT)
MULLION CONNECTION DETAIL (BOTTOM)



01

02

03

04

05

06

